

The **TPCU Terminal Posts** from **OFC-copper** are designed to meet the highest demands on mechanical precision, acoustical performance and aesthetics. Made in Germany from the solid our TPCU series combines maximum conductor cross-section with lowest transfer resistances. Thus they unite tonal clarity, beauty and stereo-phonics spaciousness with harmonious-warmth and splendid brightness.

Pure copper terminals should be cleaned periodically with copper-polish or a mixture of vinegar and water to prevent oxidation. Alternatively we offer 'maintenance-free' versions plated with **silver** or **gold**.

The scope of delivery includes two nuts, one washer and a spring washer for safe assembly. Standard insulation material furthermore acts as rotation protection and polarity marking.

We offer red and black coloured markings ex stock and spot colours upon request.

Mundorf recommends non-metallic mounting plates. Else the terminal posts induce a charge via counter-rotating magnetic fields into the mounting plate that distorts the music signal by absorbing energy from it. So more electric power is transmitted, the higher is the inductance and hence the loss of energy and fine details (see diagram).

TPCU670 Connections

External:

- 6mm cable lugs (spades),
- 1x 4mm banana plug

Internal:

- 6mm cable lugs (spades), Solder Terminal

TPCU750 Connections

External:

- 6mm cable lugs, 8mm cables lugs (spades),
- 2x 4mm banana plugs, bare cable ends

Internal:

- 6mm cable lugs (spades), Solder Terminal

TPCU870 Connections

External:

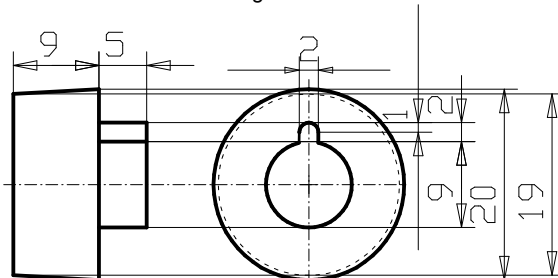
- 6mm cable lugs, 8mm cable lugs (spades)
- 2x 4mm banana plugs, bare cable ends

Internal:

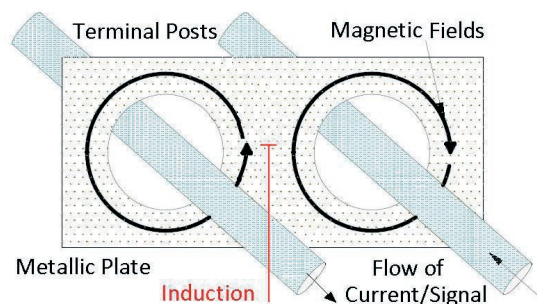
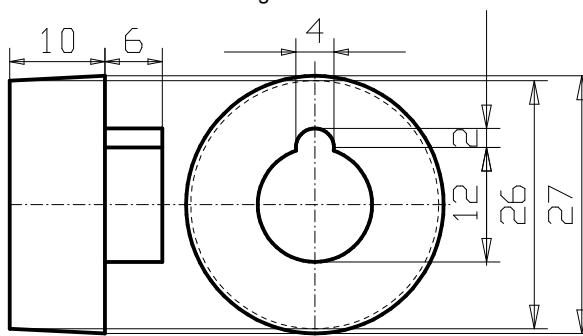
- 8mm cable lugs (spades), 4mm banana plugs
- Solder Terminal (see also highly recommended MSolder on page 54)



Insulation and mounting hole TPCU670 und TPCU750

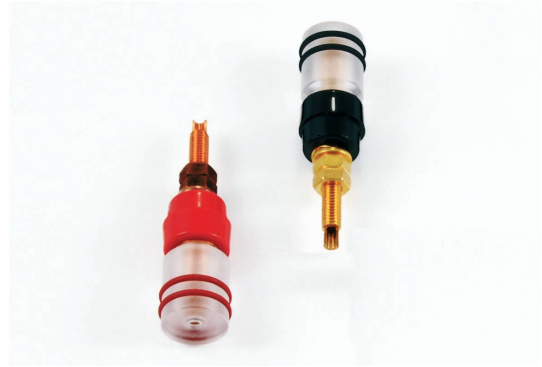


Insulation and mounting hole TPCU870

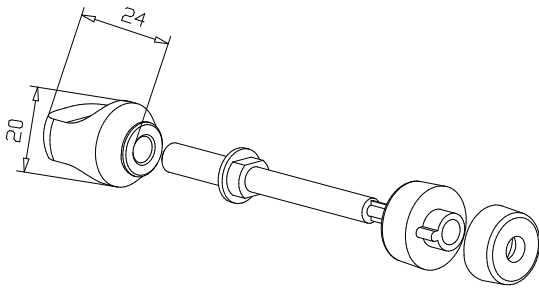




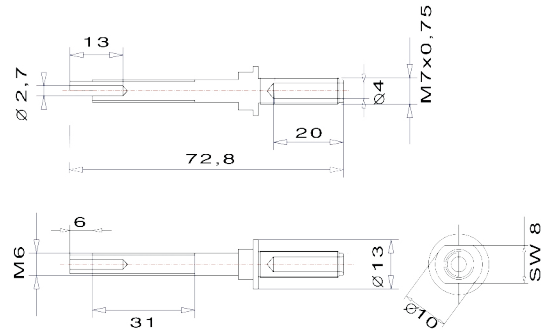
Binding posts 670



Binding posts 670 Evo



Copper terminal M6 isometric representation



Binding posts 670, 2 red + 2 black

2 pair

TPCU670C	Pure copper Classic
TPCU670E	Pure copper EVO
TPCU670GC	Copper gold-plated Classic
TPCU670GE	Copper gold-plated EVO

All terminal posts are also offered un-assembled as TPCU-OEM for efficient construction.

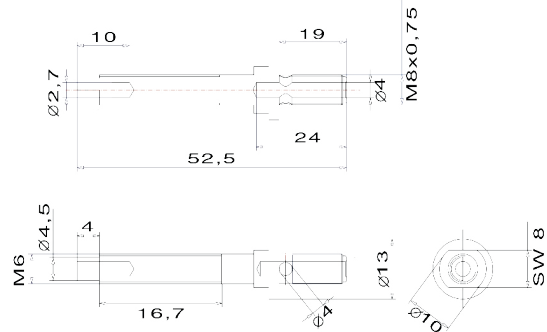


Binding posts 750 EVO

The Terminal Posts **TPCU750** were designed in 2015 for the use in audio applications with low wall thicknesses, like for example amplifiers and loudspeaker terminals.

These combine the superior connectivity of TPCU870 with the lean appearance of TPCU670.

Though their diameter is 20mm only, they own a cross hole to accommodate bare cable ends or a second 4mm banana plug.



Binding posts 750, 2 red + 2 black

2 pair

TPCU750E	Pure copper EVO
TPCU750GE	Copper gold-plated EVO

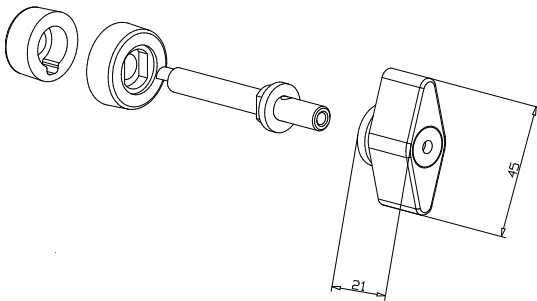
All terminal posts are also offered un-assembled as TPCU-OEM for efficient construction.



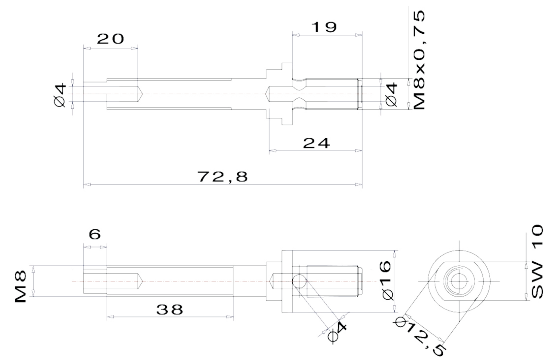
Polklemmen 870 Classic



Polklemmen 870 EVO



Copper terminal M8 isometric representation



Binding posts 870, 2 red + 2 black

2 pair

TPCU870C	Pure copper Classic
TPCU870E	Pure copper EVO
TPCU870GC	Copper gold-plated Classic
TPCU870GE	Copper gold-plated EVO

All terminal posts are also offered un-assembled as TPCU-OEM for efficient construction.