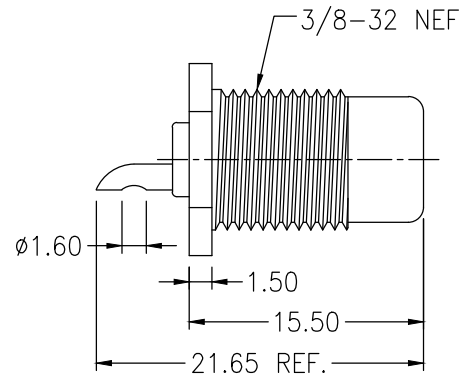


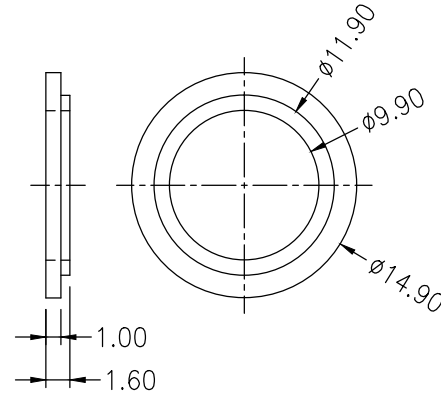
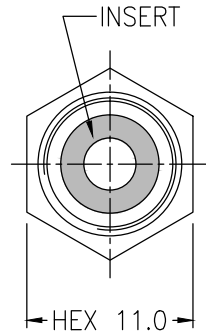
CUSTOMER ACTION HARDWARE FILE NO. 12HP150GX-IS

THIS DRAWING AND SPECIFICATIONS, HEREIN ARE THE CONFIDENTIAL PROPERTY OF SAMAR AND SHALL NOT BE REPRODUCED OR COPIED OR DISCLOSED IN WHOLE OR IN PART WITHOUT WRITTEN PERMISSION.

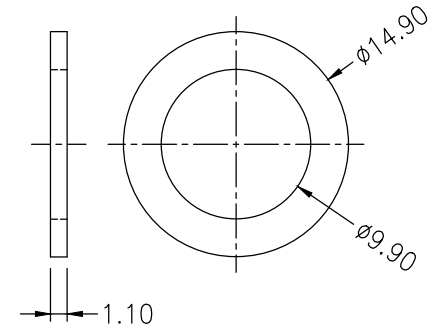
REV.	DESCRIPTION	DRAWN / DATE	APPROVED / DATE
0	INITIAL RELEASE	YANG 02/13/2012	FROS 02/13/2012



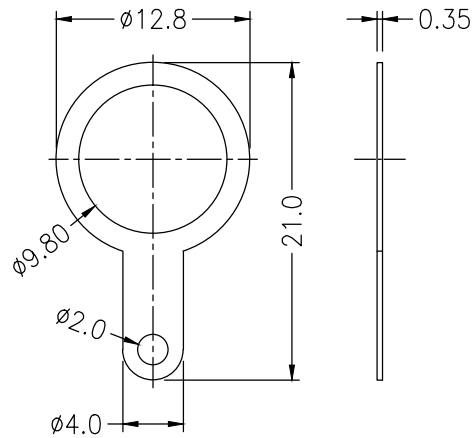
BODY



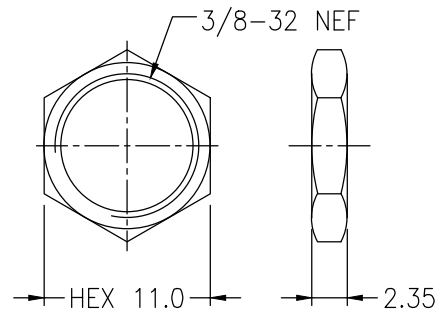
WASHER (1)



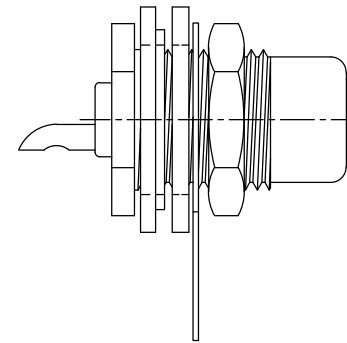
WASHER (2)



SOLDER TAG



NUT



ASSEMBLY

P/N	INSERT COLOR
12HP150GB-IS	BLACK
12HP150GR-IS	RED
12HP150GY-IS	YELLOW
12HP150GGN-IS	GREEN

DIMENSIONS ARE IN mm [INCH]
MOLD NO.
12HP150GX-IS

TOLERANCES ARE FRACTIONS DECIMALS ANGLES
.X ± 0.20 [0.008]
.XX ± 0.12 [0.005]

MATERIAL
FINISH
COLOR



RCA CHASSIS MOUNT SOCKET

P/N	SEE TABLE
PROJECT NO.	
SCALE 2:1	SIZE A4 SHEET 1 OF 1

DRAWN YANG	DATE 02/13/2012
MS062	