

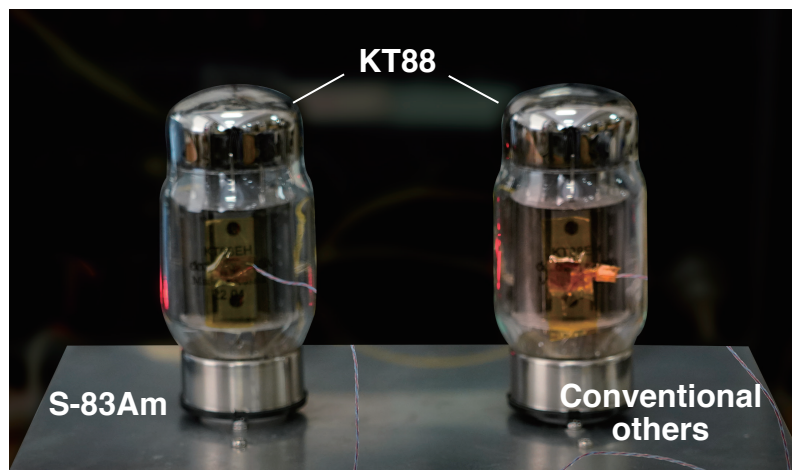
Features

- Made in Japan, designed/developed by Amtrans
- Socket-base is made of ceramics with 95% alumina. Thermal conductivity is about 10 times higher than conventional steatite ceramics. It restrains the increase of tube temperature and contributes to longer life of the tubes.
- Gold plating directly on the phosphor bronze without using nickel ground lowers magnetic distortion and creates quality of sound.
- Adopt the reliable pin-shape being used for more than 70 years.
- Connectable to the chassis by using holes of flange. It helps you to set face-direction of tube by the step of 30 degrees.
- Fit to KT88/KT77/KT66/EL34/6550/6L6GC

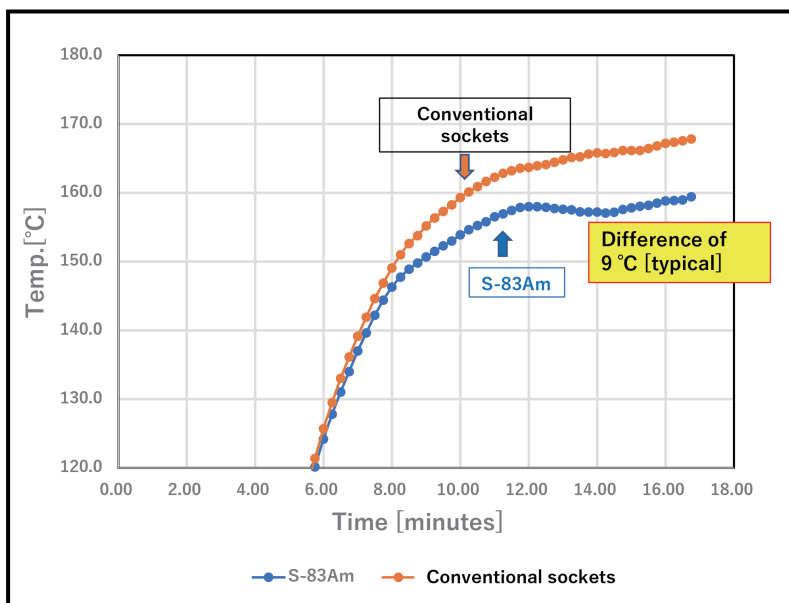


Socket with high thermal conductivity

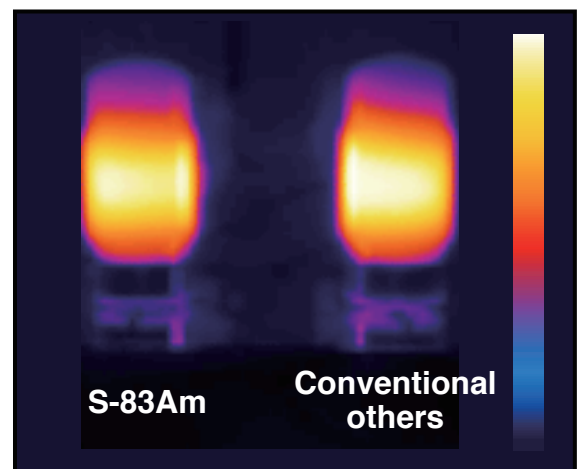
comparison with conventional sockets



Temperature of tube surface



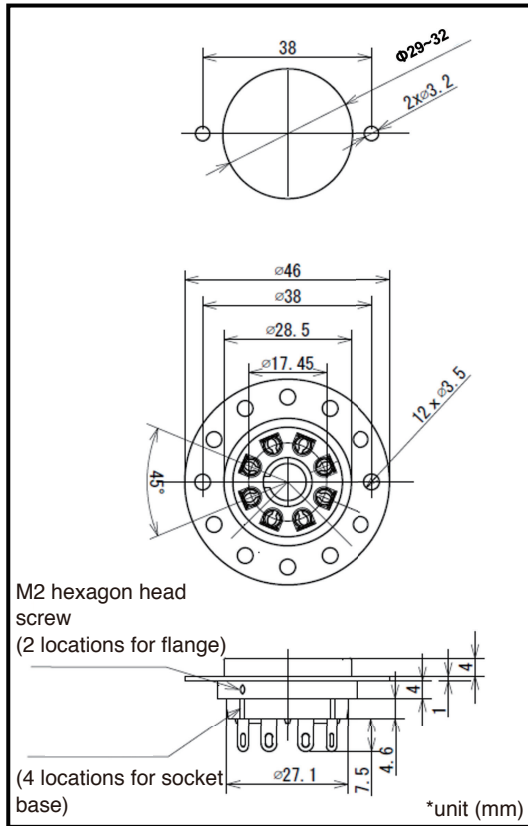
Thermography



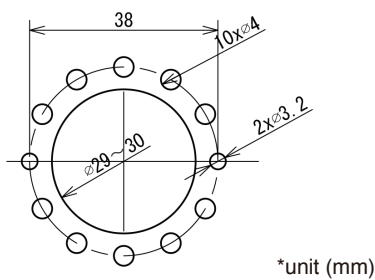
Shows the difference of temperature in the center of the tube

*All the photo, graph and image are for illustrative purposes.

Assembly drawing



Sample photo when making heat dissipation holes on the chassis



Optional adapter (*coming soon)

Optional adapter connected to S-83Am shown as below

