

TUBE SHIELD

TUBE SHIELD SERIES

Precise designed tube shield and tube retainer for 8 & 9 pin socket

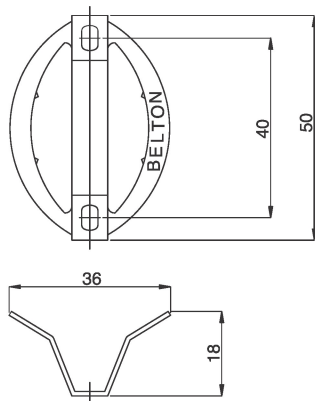


Applications

- Tube retainer-1 ; for use on the standard 8 pin socket (VT8-PT or ST)
- Tube retainer-2 ; for the VT8-PT-2 socket (special design for 8 pin)
- Tube shield-1 ; for the VT9-PT-2 socket (special design for 9 pin)
- Tube shield-2 ; for the standard 9 pin socket (VT9-ST or PT)

Dimensions

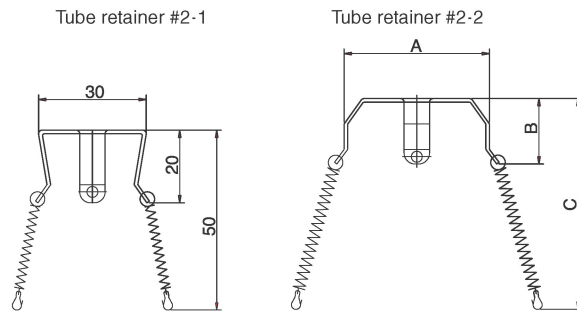
TUBE RETAINER-1



• Materials ; Spring plate with Ni plating

TUBE RETAINER-2

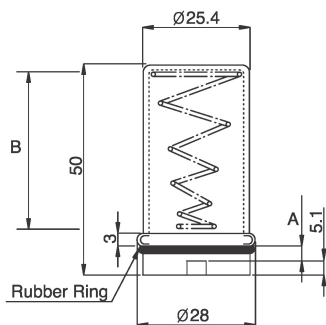
**Available to change the spring length by tube size



• Materials ; Steel plate with Ni plating and natural coil spring

TUBE SHIELD-1

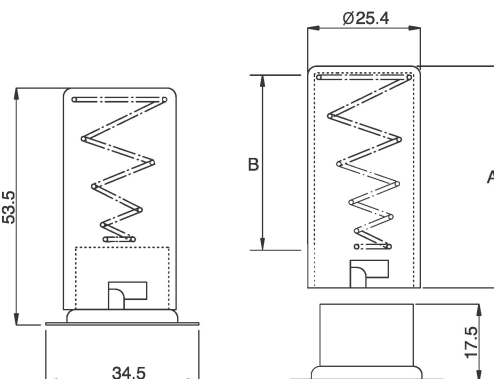
Gap Thick (A)	Spring Leng. (B)
1.8mm	50mm
2.5mm	26mm



• Materials ; Aluminum sleeve with natural coil spring

TUBE SHIELD-2

CAN Height (A)	Spring Leng. (B)
40mm	26mm
50mm	20mm



• Materials ; Aluminum sleeve with natural coil spring

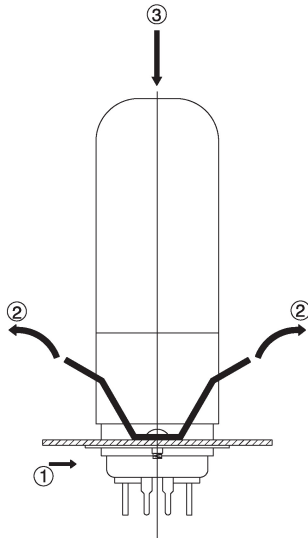
TUBE SHIELD

TUBE SHIELD SERIES

Proposed mounting method of tube socket with tube Shield

Progress order

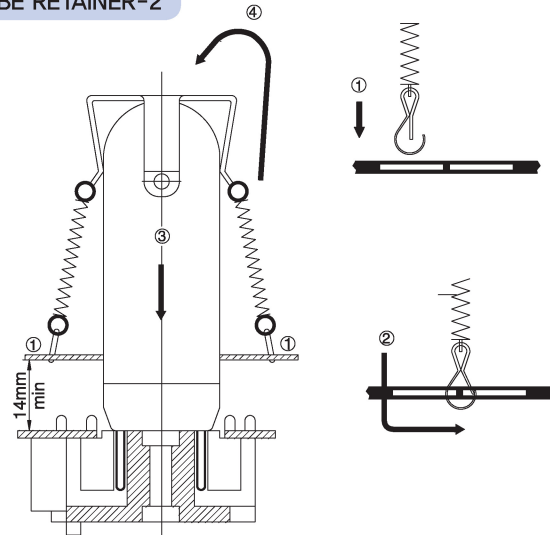
TUBE RETAINER-1



Progress order

1. Build tube socket on the chassis
2. Spread out the wing of tube retainer-1
3. Insert vacuum tube into the socket

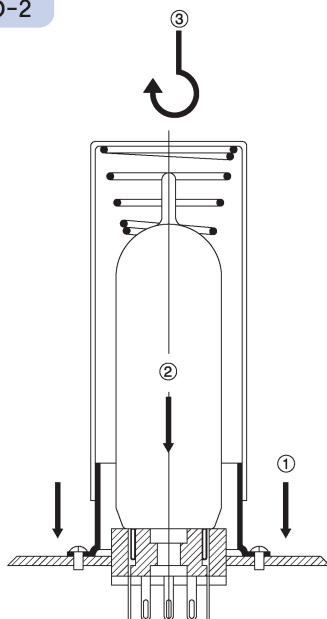
TUBE RETAINER-2



Progress order

1. Insert hook to the chassis hole
2. Push and hook up the hooks to the chassis
3. Insert the vacuum tube into the socket
4. Pull up tube retainer-2 and cap it on the top of tube

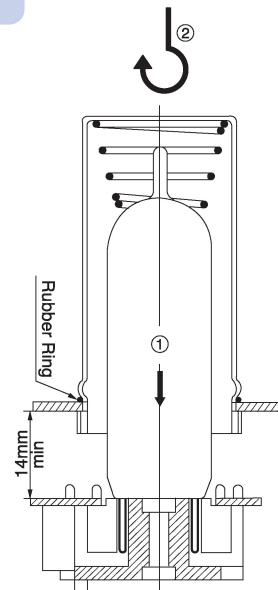
TUBE SHIELD-2



Progress order

1. Build collar on the chassis
2. Insert the tube into the socket
3. Cap and push the tube shield-2 and turn right till stop

TUBE SHIELD-1



Progress order

1. Insert vacuum tube into the socket
2. Cap and push the tube shield-1 to the bottom and turn right till stop