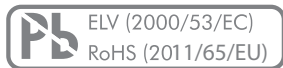


PRELIMINARY

MAIN FEATURES

HIGH RESOLUTION SERIES AUDIO ATTENUATOR WITH 47 POSITIONS

- 47 positions, with selectable end-stops
- Low profile; 36 by 36 mm
- Up to 6 channels
- Available with pre-populated thin-film SMT resistors
- or non-populated THT versions
- 10k, 25k, 50k, 100k or 600 Ohms standard input impedance
- Exceptional sonic performance with precise switch feel
- Low-bounce contact system with 3 micron gold plating
- Motorized, IR controllable versions available
- Free Excel resistor calculator tool available



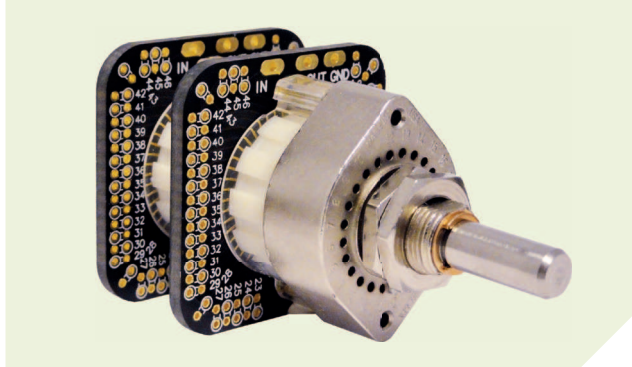
POSSIBLE CUSTOMIZATIONS

- PCB design and tapers
- Shafts, concentric construction

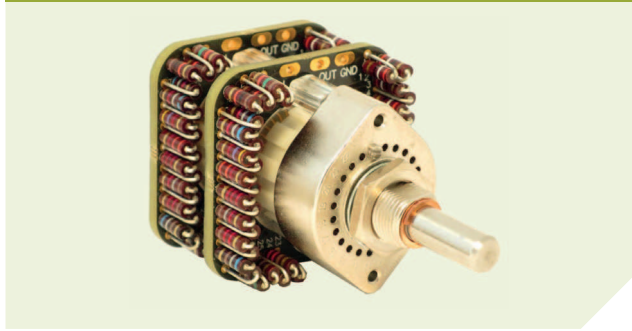
TYPICAL APPLICATIONS

- Mixing desks and outboard studio equipment
- Home audio and home theater

TWO-CHANNEL SMT VERSION



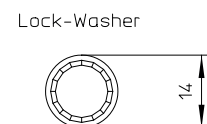
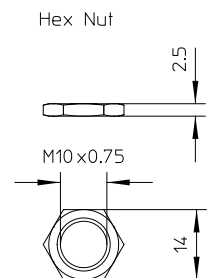
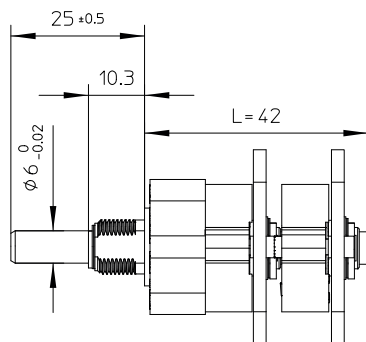
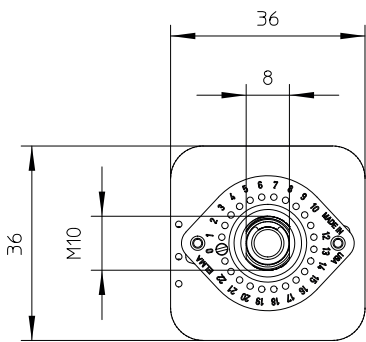
TWO-CHANNEL THT VERSION (comes non-populated)



DESCRIPTION

The A47 audio switch series incorporates a PCB based switch contact system that is specifically designed to meet audiophile requirements for superb sonic performance. These series attenuators provide 47 positions and are available from 1 to 6 channels. Switch torques of 1.5, 2.5 and 5 Ncm are standard, populated with low-noise, high precision SMT resistors (standard input impedances are 10k, 25k, 50k, 100k or 600 Ohms), or non-populated THT versions which can be populated by the customer. The A47 series feature Elma's hallmark indexing feel for superior tactile feedback.

Dimensions (mm)



- 1-wafer; L = 24.5
- 3-wafer; L = 59.5
- 4-wafer; L = 77
- 5-wafer; L = 94.5
- 6-wafer; L = 112

PRELIMINARY

TECHNICAL DATA

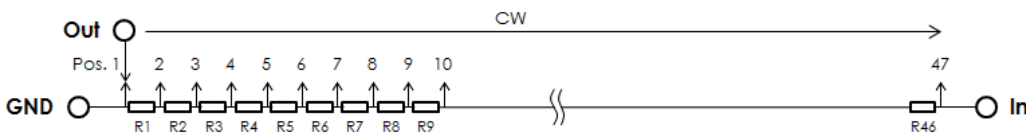
GENERAL

Indexing Resolution:	47 positions (7.5° indexing; 345° total switch travel)
Switching torque:	1.5, 2.5 or 5 Ncm (+/- 30%, over temperature range and life)
Rotational life:	25k cycles (over temperature range, at 120 RPM)
Contact system:	Low-bounce wiper with 3 micron hard gold plated PCB
SMT resistors:	0805 package, thin-film, +/- 0.1%, TCR; +/-25 ppm/°C
THT resistors:	Non-populated, max. package size; $\text{Æ}2.8 \times 10 \text{ mm}$ ($\text{Æ}0.6 \text{ mm}$ wire)
Input impedance:	10k, 25k, 50k, 100k or 600 Ohms
Packaging:	Single piece packed, lock washer and two nuts are included

dB ATTENUATION

SWITCH POSITION	1	2	3	4	5	6	7	8	9	10	...	47
Attenuation [dB]	Off	-72	-69	-66	-64	-62	-60	-58.5	-57	-55.5	...	0
Step size [dB]			3	3	2	2	2	1.5	1.5	1.5	...	1.5 ...

CIRCUITRY AND PIN ALLOCATION



TYPE KEY

A47 - **SER** - - - -

SWITCHING TORQUE

- A** 1.5 Ncm (not recommended for >2 wafers)
- B** 2.5 Ncm (not recommended for >4 wafers)
- C** 5 Ncm

NUMBERS OF WAFERS

- x** x Ebenen (max. 6)

FUNCTION (per wafer)

- THT** THT, non-populated
- 010** SMT, 10k Ohms impedance
- 025** SMT, 25k Ohms impedance
- 050** SMT, 50k Ohms impedance
- 100** SMT, 100k Ohms impedance
- 0K6** SMT, 600k Ohms impedance

ACCESSORIES TO ORDER:

Spare nut:	P/N 5622-16
Stop screws (10 pcs. pack):	P/N 4124-21
Free Excel resistor calculator:	Available from elma.com