

A47 Series

High resolution series audio attenuator with 47 positions

Features

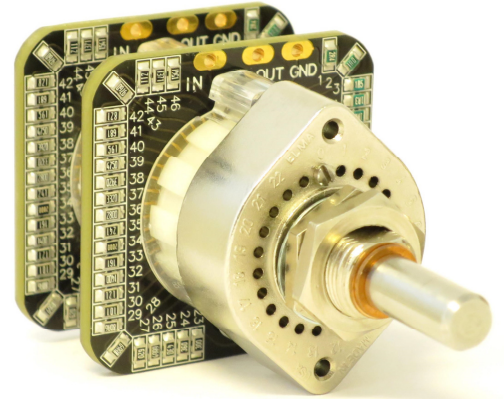
- 47 positions, with selectable end-stops
- Low profile; 36 by 36 mm
- Up to 6 channels
- Available with pre-populated thin-film SMT resistors or non-populated THT versions
- 10k, 25k, 50k, 100k or 600 Ohms standard input impedance
- Exceptional sonic performance with precise switch feel
- Low-bounce contact system with 3 micron gold plating
- Motorized, IR controllable versions available
- Free Excel resistor calculator tool available

Possible Customization

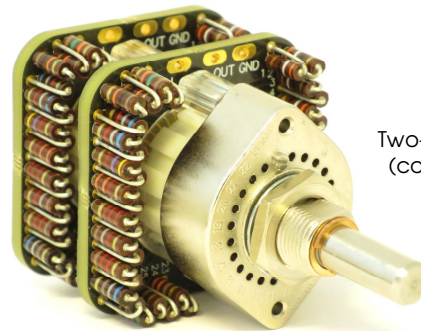
- PCB design and tapers
- Shafts shapes and concentric construction

Applications

- Mixing desks and outboard studio equipment
- Home audio and home theater



Two-channel SMT version



Two-channel THT version
(comes non-populated)

RoHS (2011/65/EU)

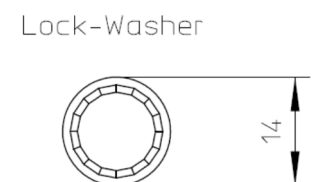
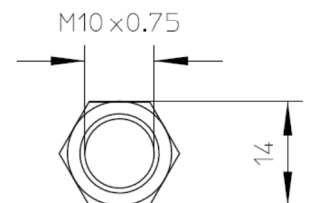
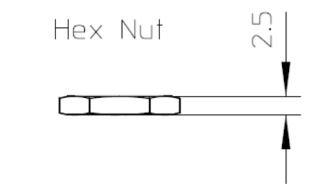
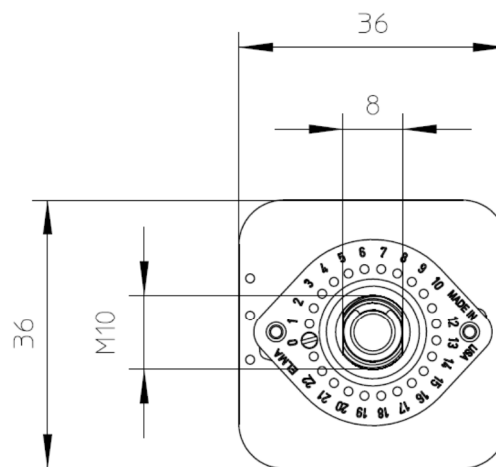
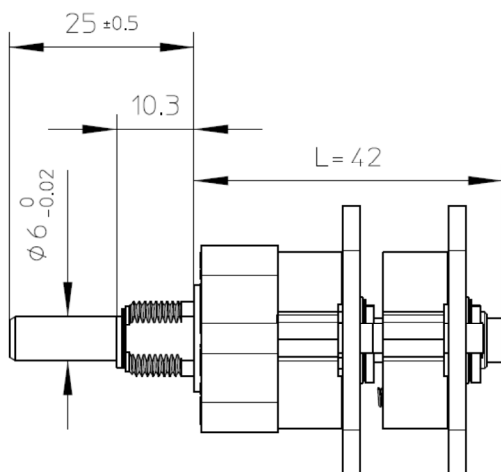
Description

The A47 audio switch series incorporates a PCB based switch contact system that is specifically designed to meet audiophile requirements for superb sonic performance.

These series attenuators provide 47 positions and are available from 1 to 6 channels. Switch torques of 1.5, 2.5 and 5 Ncm are standard, populated with low-noise, high precision SMT resistors (standard input impedances are 10k, 25k, 50k, 100k or 600 Ohms), or non-populated THT versions which can be populated by the customer.

The A47 series feature Elma's hallmark indexing feel for superior tactile feedback.

Dimensions (mm)



- 1-wafer; L = 24.5
- 3-wafer; L = 59.5
- 4-wafer; L = 77
- 5-wafer; L = 94.5
- 6-wafer; L = 112

Specifications

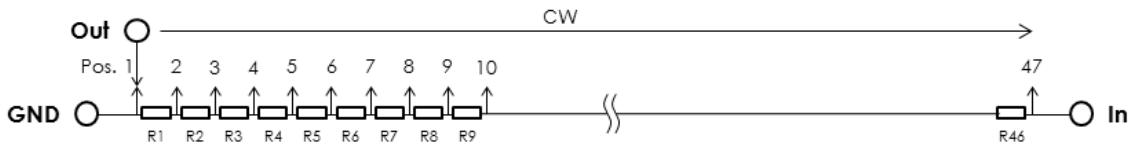
General

Indexing Resolution:.....47 positions (7.5° indexing; 345° total switch travel)
 Switching torque:.....1.5, 2.5 or 5 Ncm (+/- 30%, over temperature range and life)
 Rotational life:.....25k cycles (over temperature range, at 120 RPM)
 Contact system:.....Low-bounce wiper with 3 micron hard gold plated PCB
 SMT resistors:.....0805 package, thin-film, +/- 0.1%, TCR; +/-25 ppm/°C
 THT resistors:.....Non-populated, max. package size; Ø2.8 x 10 mm (Ø0.6 mm wire)
 Input impedance:.....10k, 25k, 50k, 100k or 600 Ohms
 Packaging:.....Single piece packed, lock washer and two nuts are included

dB Attenuation

Switch Position	1	2	3	4	5	6	7	8	9	10	...	47
Attenuation (dB)	Off	-72	-69	-66	-64	-62	-60	-58.5	-57	-55.5	...	0
Step size (dB)			3	3	2	2	2	1.5	1.5	1.5	...	1.5 ...

Circuitry and Pin Allocation



Ordering Code

A47 - **SER** - - - -

Switching Torque
 A – 1.5 Ncm (not recommended for >2 wafers)
 B – 2.5 Ncm (not recommended for >4 wafers)
 C – 5 Ncm

Number of Wafers
 x – x Wafers (max. 6)

Function (per Wafer)
 THT – THT, non-populated
 010 – SMT, 10k Ohms impedance
 025 – SMT, 25k Ohms impedance
 050 – SMT, 50k Ohms impedance
 100 – SMT, 100k Ohms impedance
 0K6 – SMT, 600 Ohms impedance

Accessories to Order

- Spare nut:.....P/N 5622-16
- Stop screws (10 pcs. pack):.....P/N 4124-21
- Free Excel resistor calculator:.....Available from elma.com