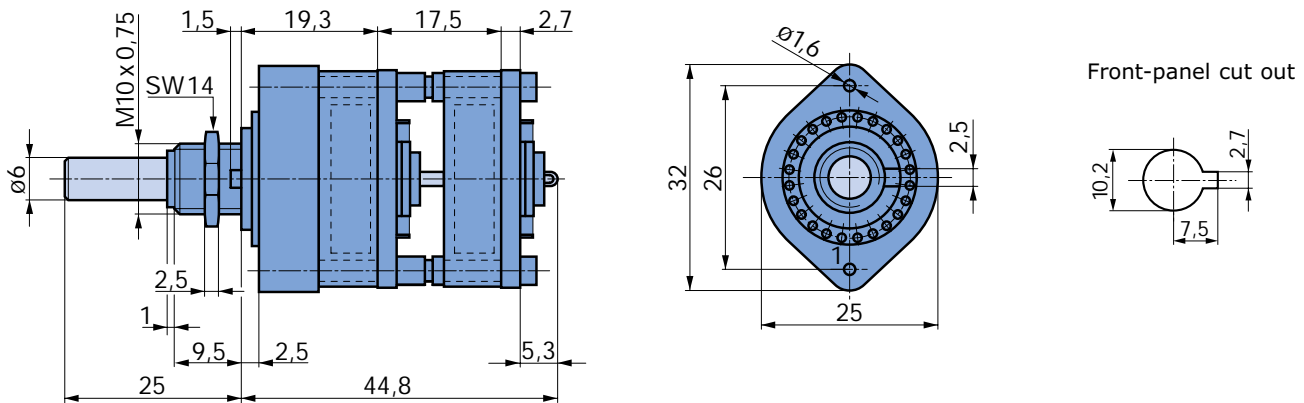


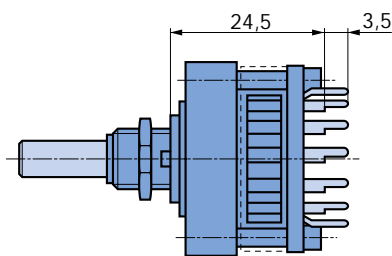
# Rotary Switches Type 04

## With solder eyelets

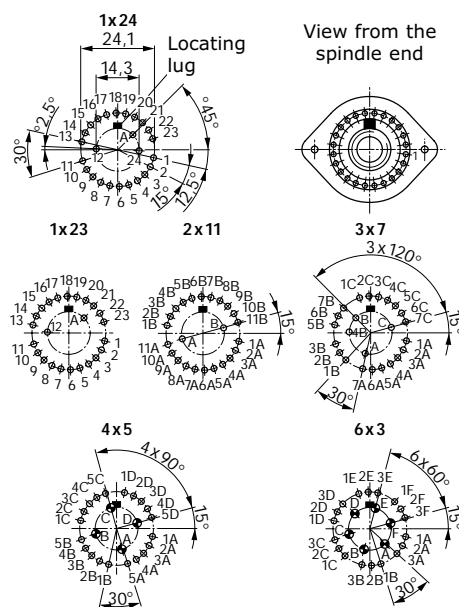
SW = key spanner



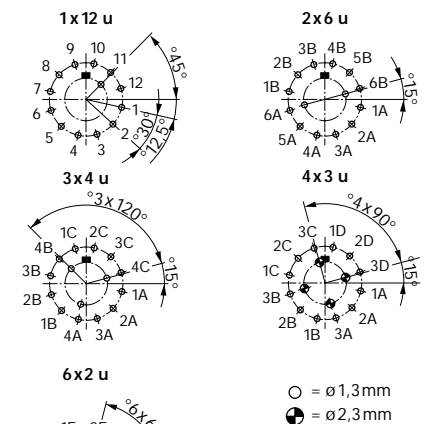
## With pins for PCB mounting



Drilling diagram for indexing angle 15°



Drilling diagram for indexing angle 30°



## Description

Rotary switch with bridge contact principle

**Overall dimension**  
32 x 25 mm

**Threaded bushing**  
M 10 x 0,75

**Two-hole mounting**  
Mounting hole distance 26 mm  
Mounting screws M 2

**Indexing angle**  
15° = 24 switching positions  
30° = 12 switching positions  
With or without stop.

The adjustable stop screws can be set on any position between 2 and the maximum. Stop screws have to be ordered separately.

**Number of poles per wafer**  
1, 2, 3, 4 or 6 (poles)

**Switching mode**  
Shorting or non-shorting

**Contact material**  
Gold flash and Gold plated 3 μm

**Terminals**  
Solder eyelets or PCB mountable

# Rotary Switches Type 04

## Technical information

### Mechanical data

#### *Indexing mechanism*

15° = 24 positions  
shorting or non-shorting

30° = 12 positions  
non-shorting

#### *Switching torque with 1 wafer, 1 pole*

Standard:  
15 Ncm ± 25%  
Special:  
8 Ncm ± 25%  
20 Ncm ± 25%

#### *Vibration resistance*

10–2000 Hz/10 g

#### *Max. admissible tightening torque for nuts*

max. 300 Ncm

#### *Mechanical life*

> 25000 switching cycles

#### *Temperature range*

– 40 °C to + 85 °C

### Material data

#### *Housing*

pressure cast, zinc plated and passivated

#### *Shaft*

stainless steel

#### *Insulation material*

Wafers: HF-ceramic  
Rotor: polybutylene (PBTB)

#### *Contact material*

Rivet (copper)  
Segment (brass)  
• gold flash  
10 µm silver coated, gold flashed  
approx. 0.2 µm  
• 3µm gold plated  
3 µm gold plating on 3 µm nickel layer

#### *Wiper (bronze)*

• gold flash  
10 µm silver plated, gold flashed  
approx. 0.2 µm  
• 3 µm gold plated

### Soldering data

#### *Handsoldering*

Ceramic wafer ≤ 10 s/≤ 350 °C

#### *Machine soldering*

Wave ≤ 5 s/≤ 260 °C

### Electrical data

#### *Application data*

Voltage < 42 V  
Current < 2 A

#### *Switching capacity with resistive load:*

2 V/<2 A AC/DC  
24 V/0,6 A AC/DC  
42 V/0,4 A AC/DC

#### *Switching mode*

shorting or non-shorting

#### *Contact and lead resistance*

< 10 mΩ in new condition

#### *Insulation resistance measured with 500 V DC, for 1 min*

> 10<sup>13</sup> V contact to contact  
> 10<sup>12</sup> V contact to earth

#### *Capacitance*

1 pF contact to contact

#### *Test voltage at 50 Hz and 60% relative humidity, for 1 min*

1000 rms contact to contact  
1000 rms contact to earth

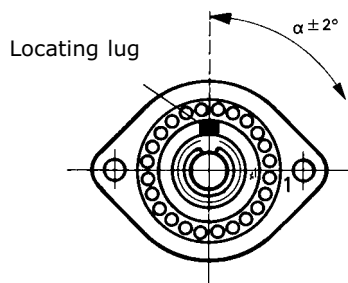
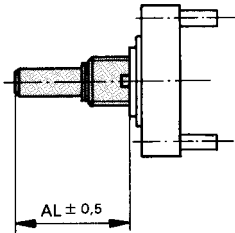
# Special Options Type 04

## Ordering an option

To order a special option please use the order form on page 106. Please specify your requirements and fax it to your local contact or to Elma.

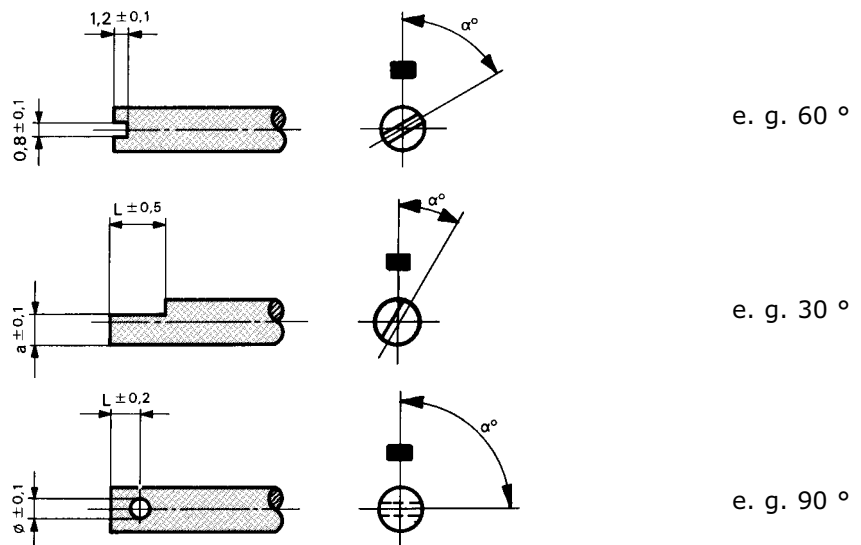
## Special shaft length

To order, state the shaft length AL as shown in diagram, measured from mounting face. Specify shaft length on page 106.



Angle in ° from locating lug. Switch on position 1

## Special types of shaft



e. g. 60 °

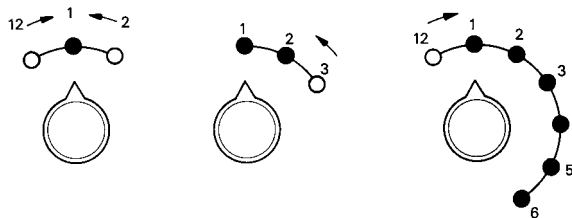
e. g. 30 °

e. g. 90 °

Specially machined shafts are available. Specify dimensions on page 106.

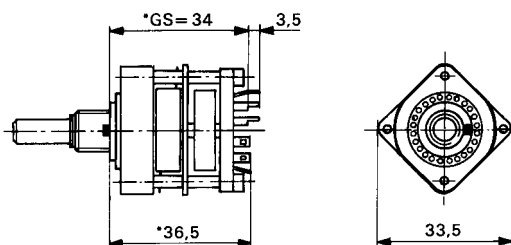
## Switch with momentary contact

Examples



- Detent position
- Momentary contact

Dimensions



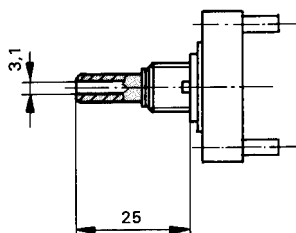
Detent and momentary contact position: 30°

\*17,5 mm extra per wafer

Configuration with 1 or 2 momentary positions. Please complete order form on page 106.

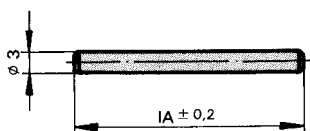
# Special Options Type 04

## Hollow shaft



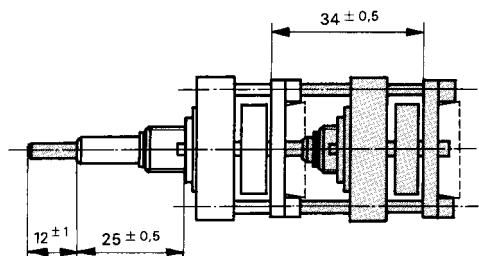
Available for switches up to 5 wafers; inner shaft ( $\varnothing$  3 mm) to be ordered separately.  
Please complete order form on page 106.

## Inner shaft



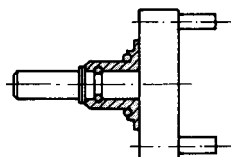
For switches with mounting plate or hollow shaft, inner shafts must be ordered separately. Please state exact length on page 106.

## Switches with 2 drive shafts



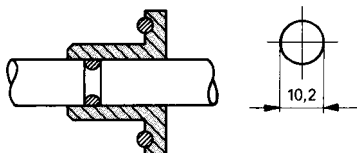
Consisting of a hollow outer plus and inner shaft. The inner shaft driving a maximum of 3 wafers with 6 wipers each. Please give type description of each switch.  
Please complete order form on page 106.

## Waterproof

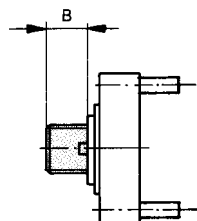


To prevent water penetrating behind the front panel and into the mechanism.  
Waterproof up to 1 bar (IP 68).  
Please complete order form on page 106.

Front panel cut out

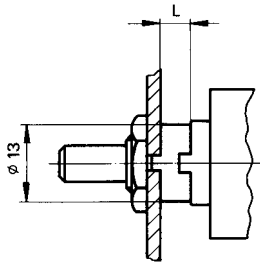


## Shortened bushing



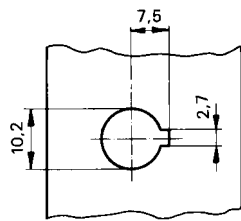
Please state dimension B = min. 3 mm.  
Specify dimensions on page 106.

# Special Options to Rotary Switches Type 04

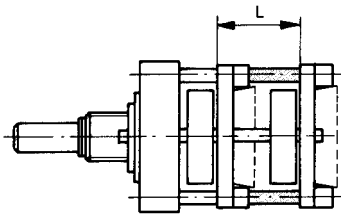


### Spacer pieces

Can be used in many cases in place of shortened bushes; made of glass-fibre reinforced plastic to compensate the front panel thickness; available in 2 standard lengths.



Length L	Packet of	Order Numbers
3,5 mm	10 pieces	4124-31
3,5 mm	100 pieces	4124-30
5,5 mm	10 pieces	4124-36
5,5 mm	100 pieces	4124-35



### Special wafer spacing

Our spacers allow the following wafer spacing:  
L = 21,3 mm or 25,5 mm  
Please complete order form on page 106.

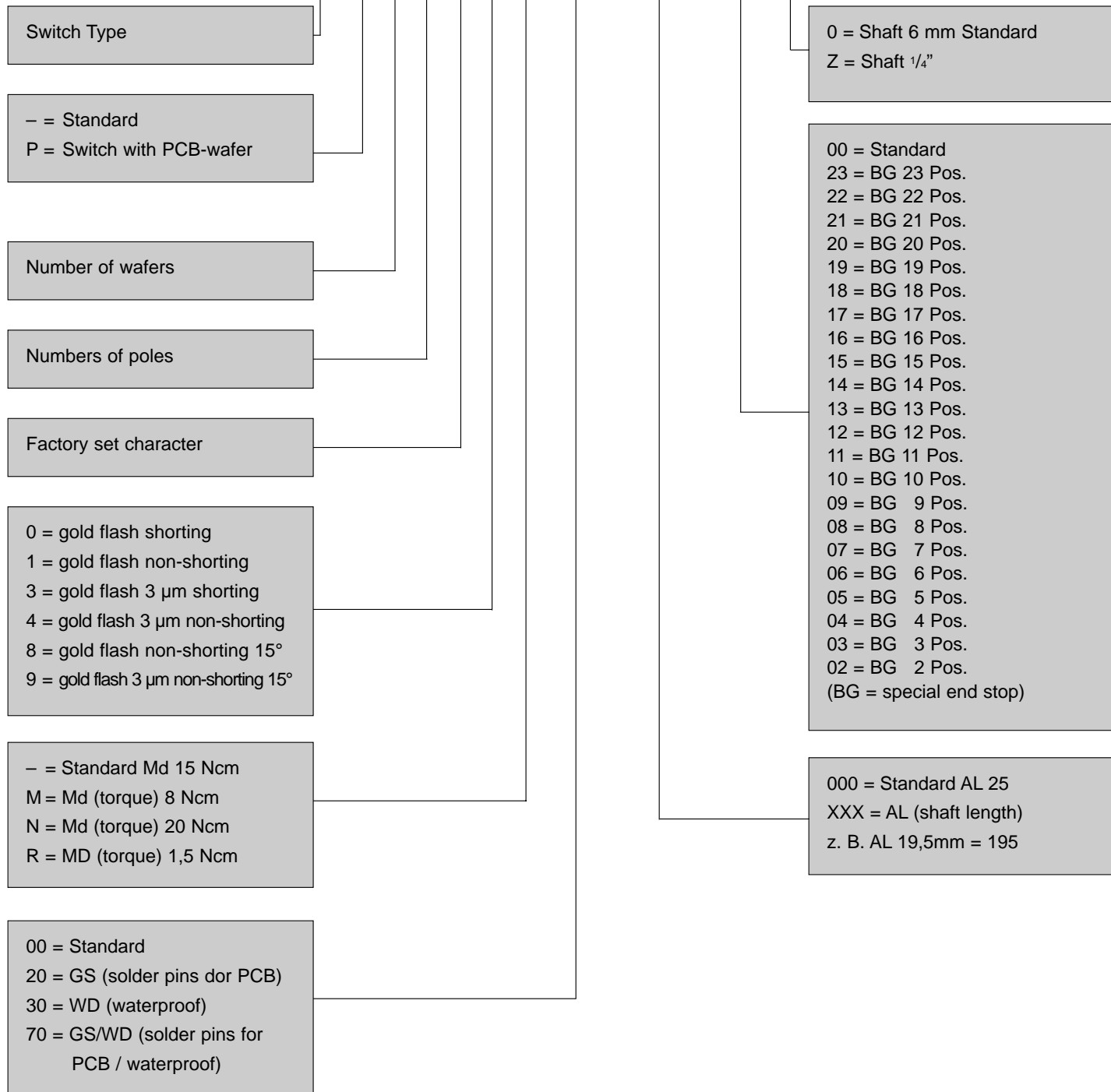
### Number of wafers

Special versions with 5 and more wafers. 7 and more wafers fitted with support-bracket.

# Ordering Code to Rotary Switches Type 04

This code specifies  
the function of the switch

										Options					
0	4	-	X	X	X	X	-	X	X	X	X	X	X	X	X



Md = Switching torque  
AL = Shaft length  
BG = Special end stop  
WD = Waterproof  
GS = With solder pins for PCB mounting

# Order Form for Special Options **ELMA** for Rotary Switches Type 04

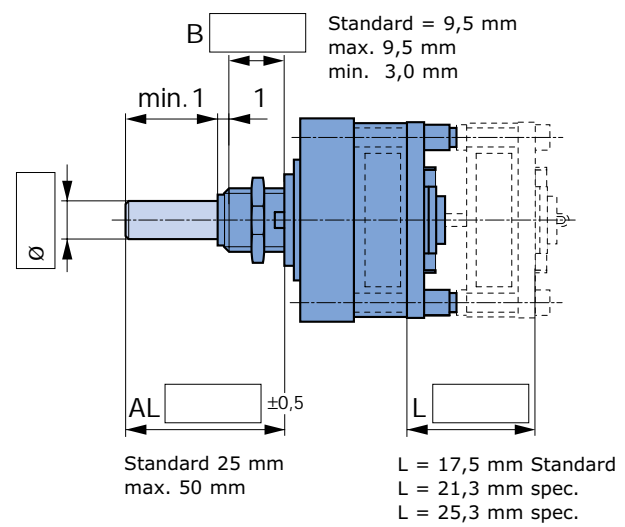
**ELMA**  
Your Solution Partner

**Copy – Fill in – Fax**  Quote request  Order

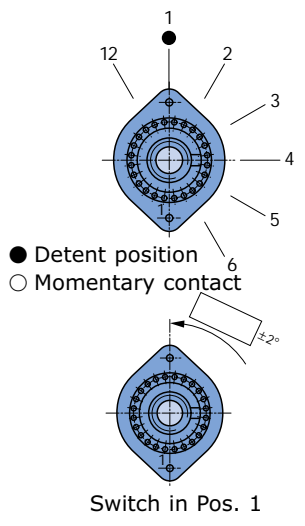
Company	Customer No.
Address	
Phone	
Name	Fax
e-mail	
Quantity	Requested delivery date
Similar to order No.	Function = Pol                      x                      Pos.
Number of wafers	Special stop from Pos.                      to                      Pos.
With solder eyelets <input type="checkbox"/>	Contact material    gold flash <input type="checkbox"/> gold 3 μm) <input type="checkbox"/>
With pins for PCB mounting <input type="checkbox"/>	Switching torque (1 wafer/1 pole) Standard 15 Ncm <input type="checkbox"/> spec. 8 Ncm <input type="checkbox"/> spec. 20 Ncm <input type="checkbox"/>
Waterproof version IP68 (Front panel side) <input type="checkbox"/>	
Indexing angle 15 ° shorting <input type="checkbox"/>	Shaft diameter 6 mm Standard <input type="checkbox"/>
Indexing angle 15 ° non-shorting <input type="checkbox"/>	Shaft diameter 1/4" (6,35 mm) special <input type="checkbox"/>
Indexing angle 30 ° non-shorting <input type="checkbox"/>	
Indexing angle 30 ° non-shorting/moment. <input type="checkbox"/>	

Switch with 2 drive shafts       Switch with hollow shaft ø 6mm       Inner shaft length

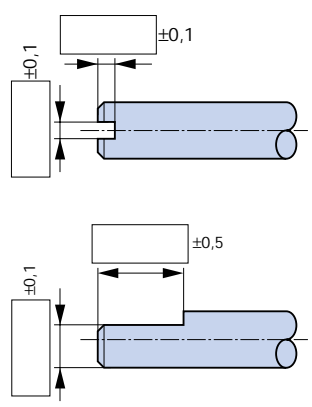
**Special shaft length/ Shortened bushing**



**Momentary function**



**Machined shaft**



**Sketch** (additional technical requirements / comments)

--