

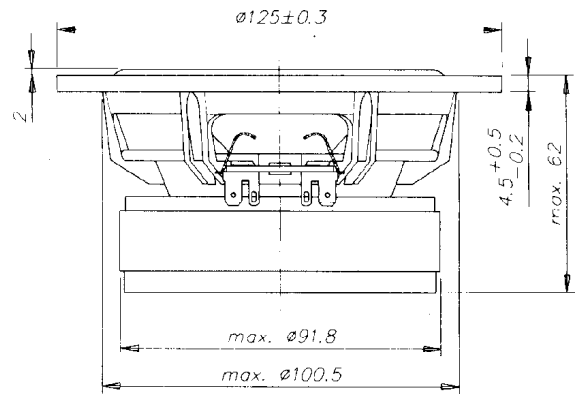
4 1/2" MIDRANGE

SPECIAL FEATURES:

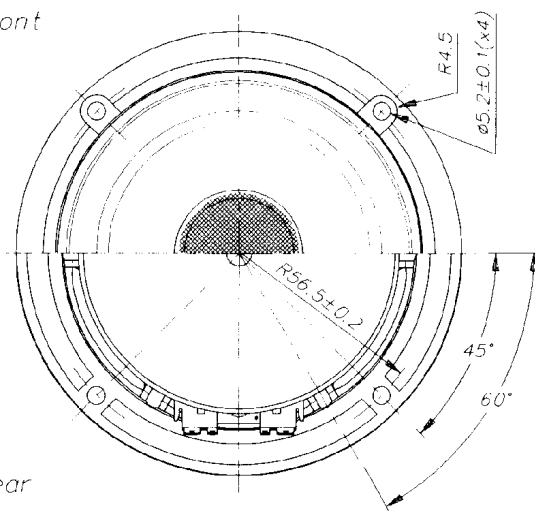
- LOW RESONANCE
- LOW DISTORTION
- BLACK COATED PAPER CONE
- LOW DAMPING RUBBER SURROUND
- VENTED THROUGH V. C. FORMER AND POLE PIECE
- NEUTRAL MIDRANGE REPRODUCTION

NOMINAL IMPEDANCE	8 Ω
VOICE COIL RESISTANCE	5.7 Ω
NOMINAL POWER (IEC 268-5)	35/70 W ¹⁾
SHORT TERM MAX. POWER (IEC 268-5)	250 W ²⁾
LONG TERM MAX. POWER (IEC 268-5)	120 W ³⁾
OPERATING POWER	6.3 W
SENSITIVITY (1W, 1m) / (2.83V, 1m)	88/88 dB
FREQUENCY RANGE	0.2 - 6 kHz
FREE AIR RESONANCE	75 Hz
VOICE COIL DIAMETER	25 mm
VOICE COIL HEIGHT	7.5 mm
AIR GAP HEIGHT	4 mm
VOICE COIL INDUCTANCE	0.4 mH
EFFECTIVE CONE AREA	57 cm ²
MOVING MASS (incl. air)	4.8 g
MAGNET WEIGHT (14.6 oz)	415 g
FORCE FACTOR, BxI	5.7 Txm
Vas	4.3 ltr
Qms	1.70
Qes	0.41
Qts	0.33

M11MH-09-08



Front



Rear

M11MH-09-08

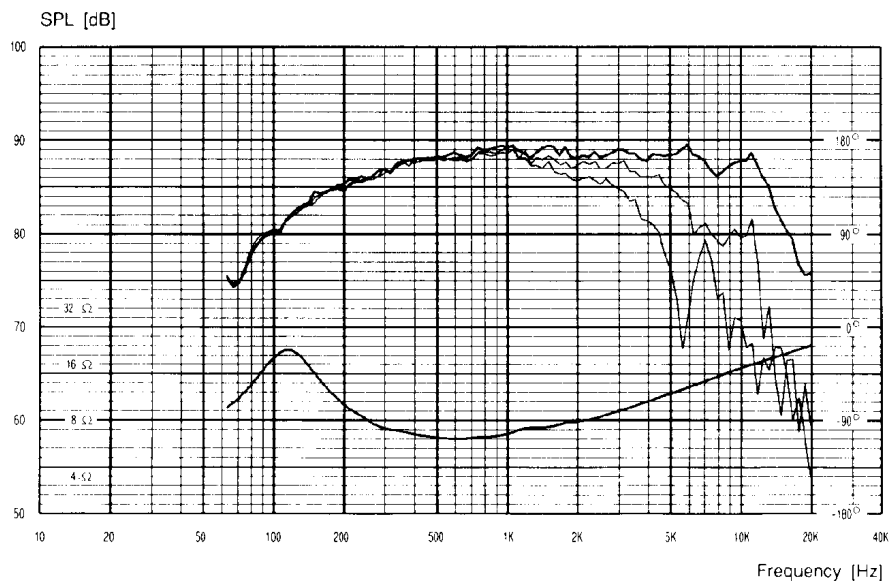
DISPERSION PLOT
0, 30 and 60 deg.

Input: 2.83V
Mic.: 1m

1,8 ltr. box mounted
in infinite baffle.

06.08.93 FKJ

Anechoic room 6x7x8 meters.
Half space free-field above 100 Hz.
Brüel & Kjær 2012 Audio Analyzer.

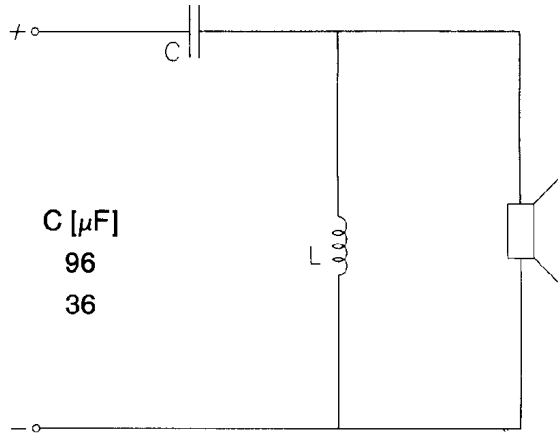


M11MH-09-08

Applications

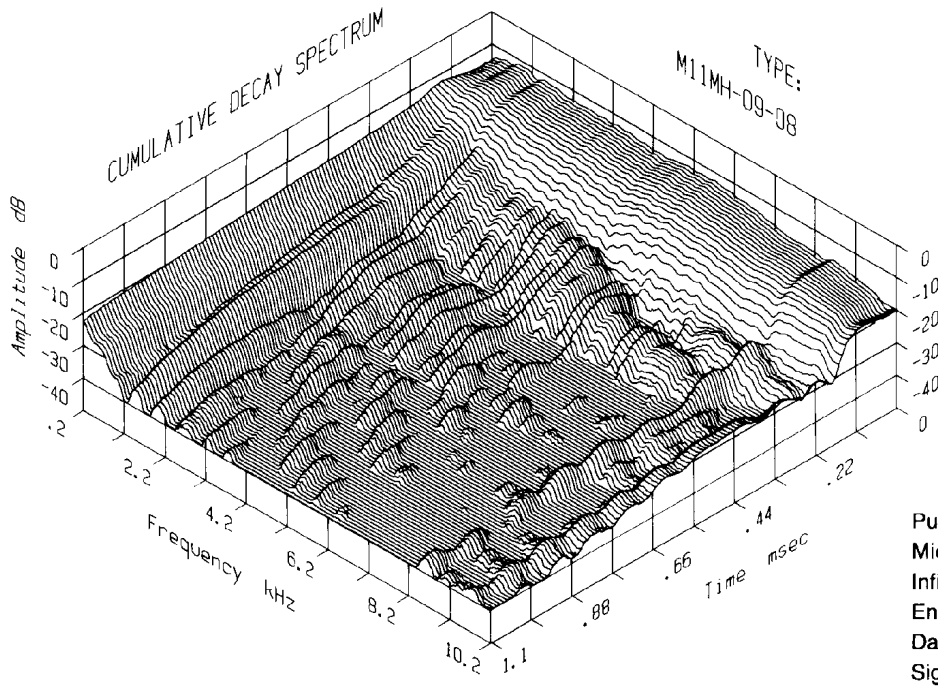
Recommended cross over:

Nom. power [W]	Fc [Hz]	L [mH]	C [μ F]
35	250	4.3	96
70	500	3.3	36



The M11MH-09-08 is designed to be used with low cross over frequencies. It may be used with 1st order cross overs. For high power handling 2nd order or more must be used. A rear chamber of 1-2 litre is necessary. The internal damping should be high i.e. the volume should be stuffed with glass wool or similar.

Note 1-3) Power test conditions: Amb. temp. 21°C \pm 3°C, 3 litre sealed enclosure, tested with filter.
 Note 1) 100 hours continuous. Note 2) Signal 1 sec., pause 1 min., repeated 60 times. Note 3) Signal 1 min., pause 2 min., repeated 10 times.



Pulse: 10 V/25 μ S
 Mic.: 0.15 m
 Infinite baffle
 Enclosure: 1.5 l
 Date: 25.06.93
 Sign.: FKJ