

PORT TUBES

Bass Reflex Ports for speaker cabinets (enclosures)



Page 2 to 25.....	Port tubes
Page 26 to 29.....	90° male to female elbows, \varnothing 70 & \varnothing 100 mm
Page 30 to 37.....	Inside / outside flairs, \varnothing 70 & \varnothing 100 mm
Page 38 to 43.....	Straight pipes, \varnothing 70 & \varnothing 100 mm
Page 44 to 47.....	90° port tube set, \varnothing 70 & \varnothing 100 mm
Page 48 to 51.....	Straight port tube set, \varnothing 70 & \varnothing 100 mm

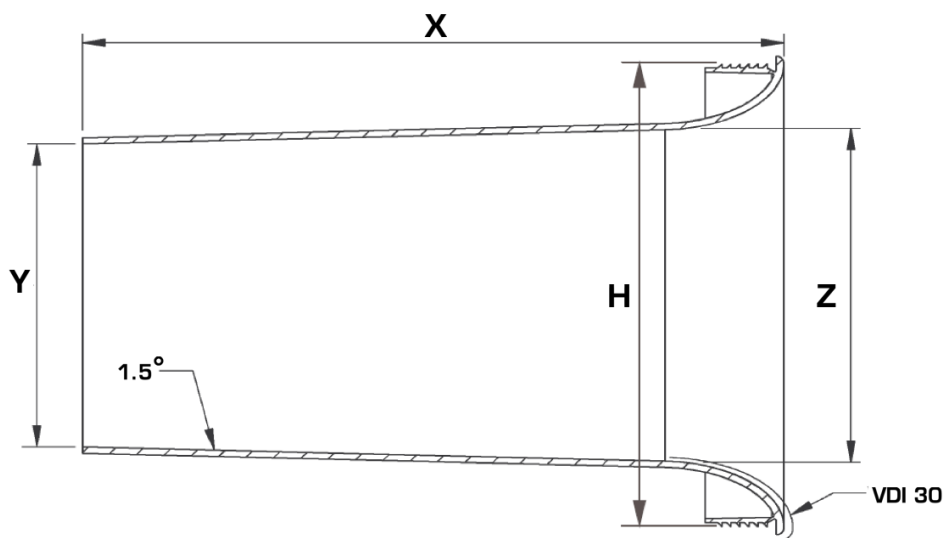
HM Port Tube - Model #900001

ø25 mm / length 102 mm

Product index: 051-0002



Sizing information:



X: 102 mm

Y: 24,50 mm

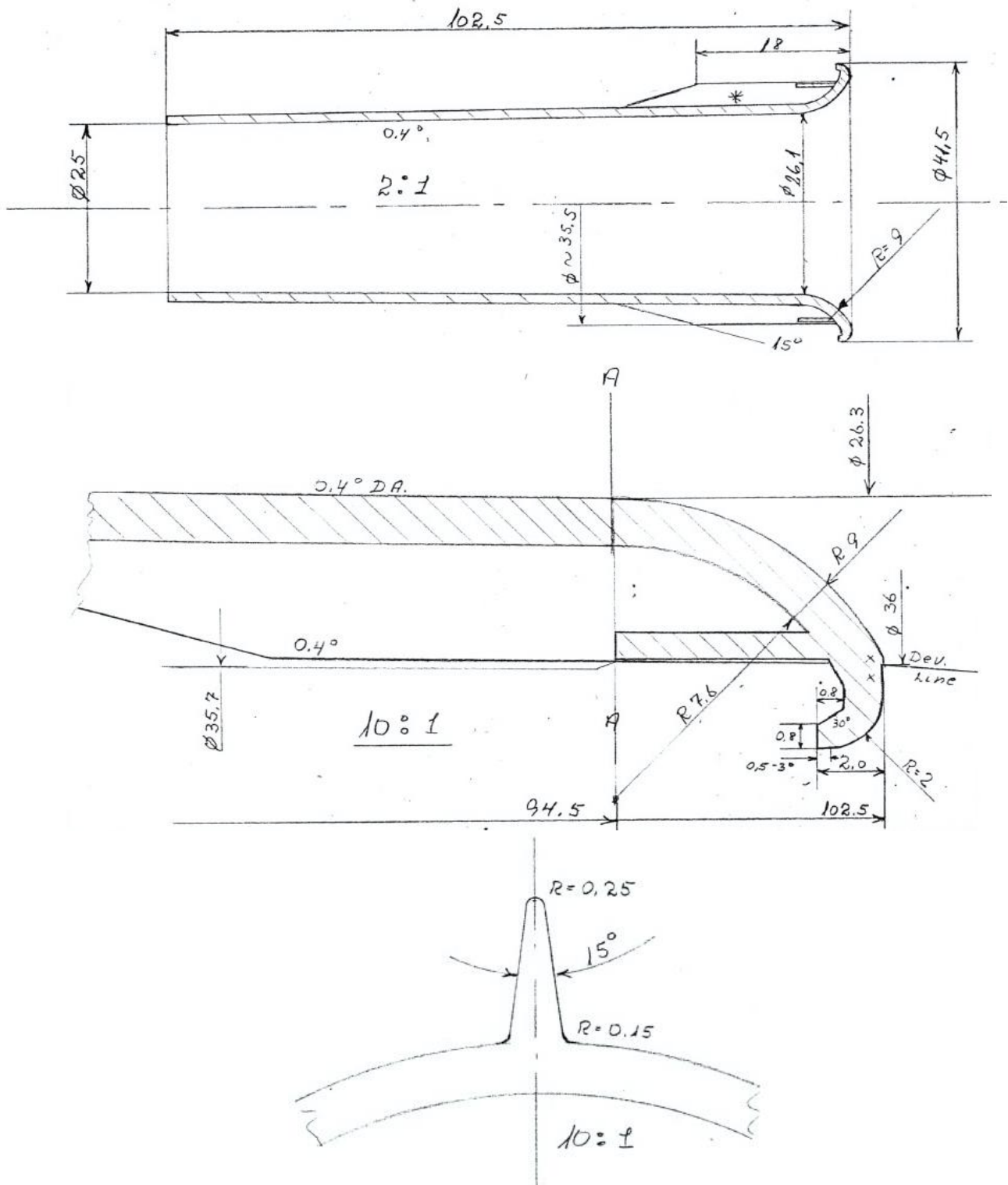
Z: 25 mm

H: min. 35,50 mm / max. $\pm 0,15$ mm

Weight: 15 grams

HM Port Tube - Model #900001

Technical drawings



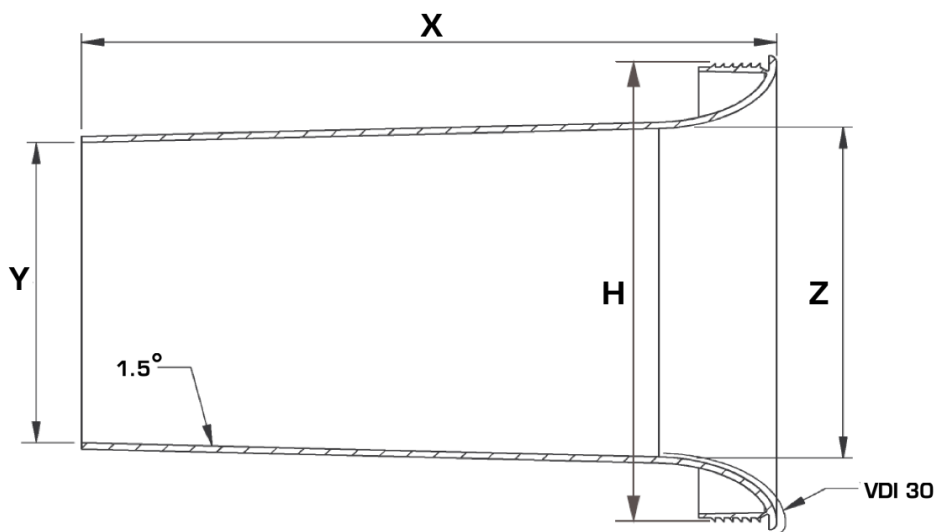
HP Port Tube - Model #900025

ø35 mm / length 68 mm

Product index: 051-0004



Sizing information:



X: 68 mm

Y: 102 mm

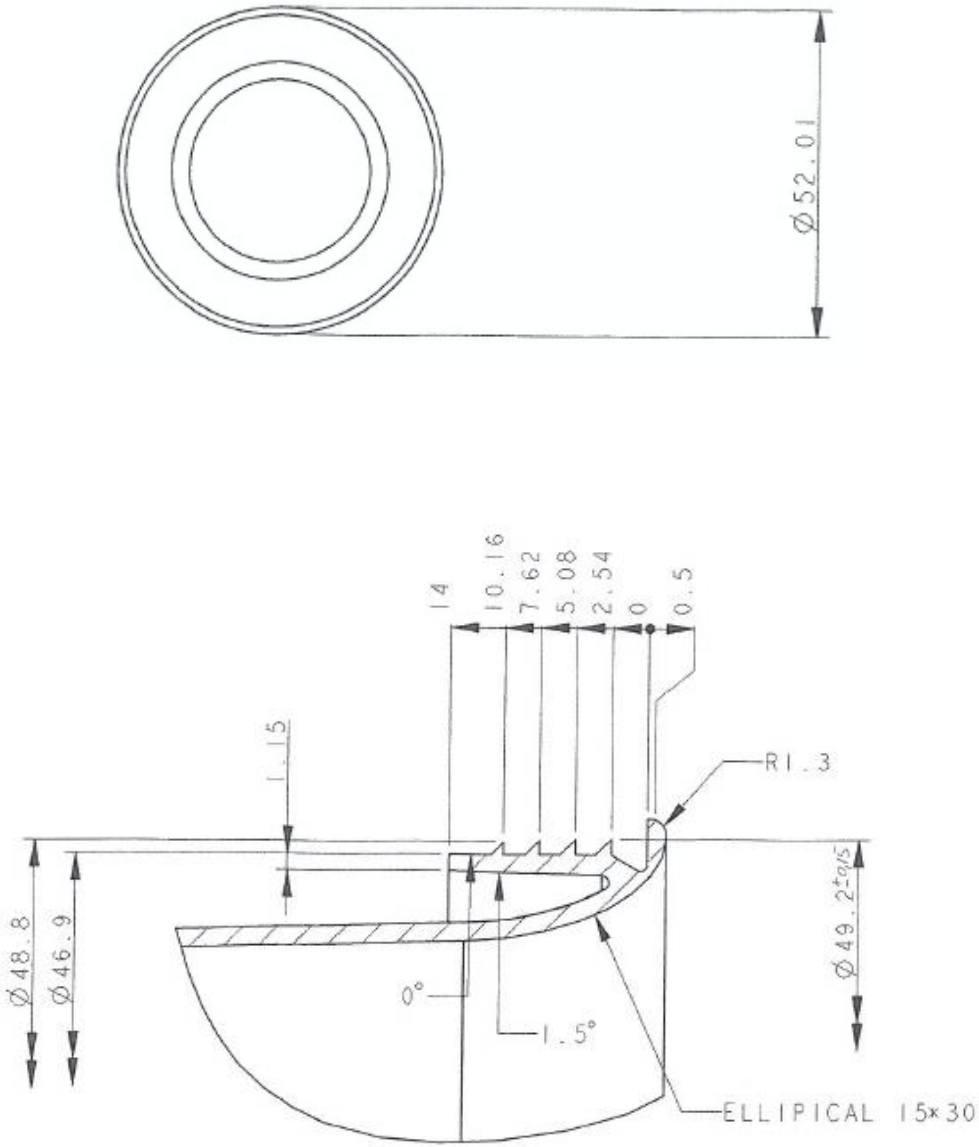
Z: 35 mm

H: min. 49,05 mm / max. 49,35 mm

Weight: 12 grams

HP Port Tube - Model #900025

Technical drawings



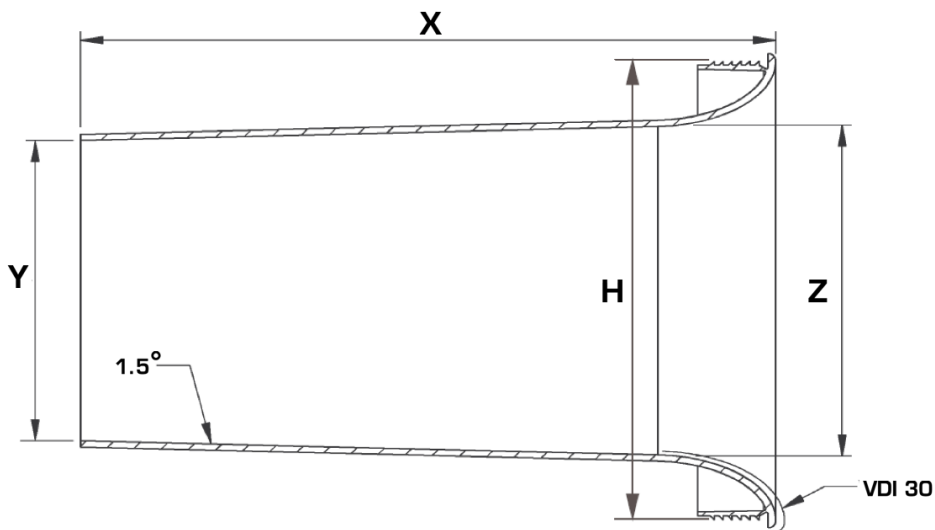
HP Port Tube - Model #900022

ø35 mm / length 120 mm

Product index: 051-0006



Sizing information:



X: 120 mm

Y: 31,95 mm

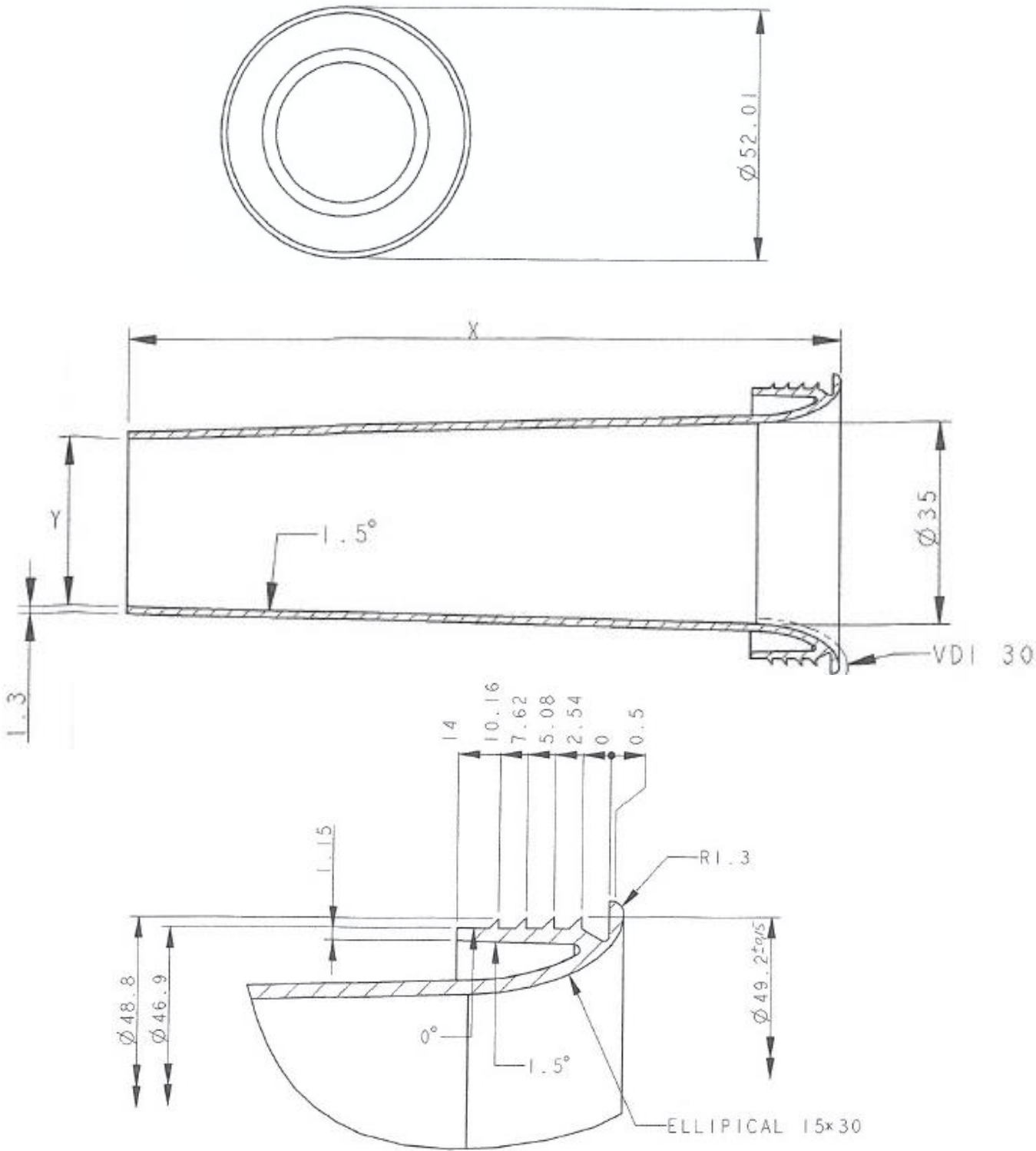
Z: 35 mm

H: min. 49,05 mm / max. 49,35 mm

Weight: 19 grams

HP Port Tube - Model #900022

Technical drawings



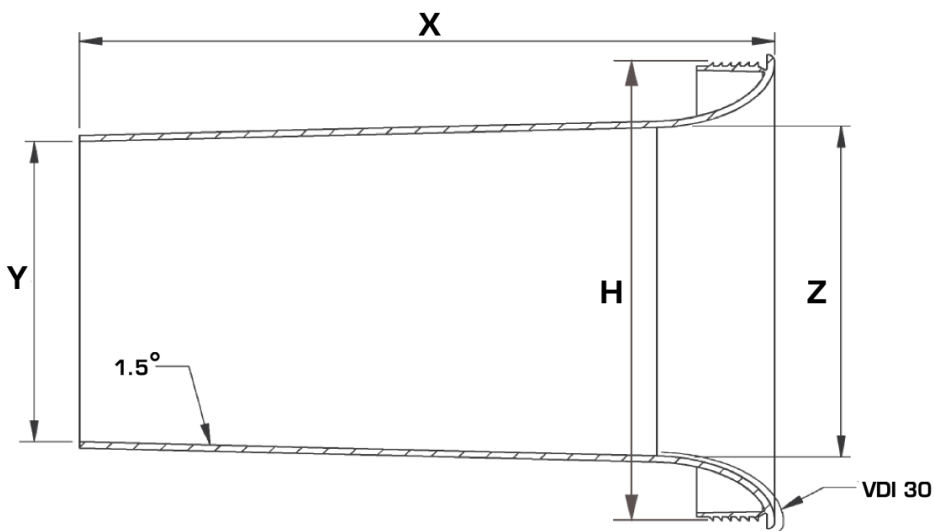
HP Port Tube - Model #900019

ø35 mm / length 165 mm

Product index: 051-0008



Sizing information:



X: 165 mm

Y: 26,33 mm

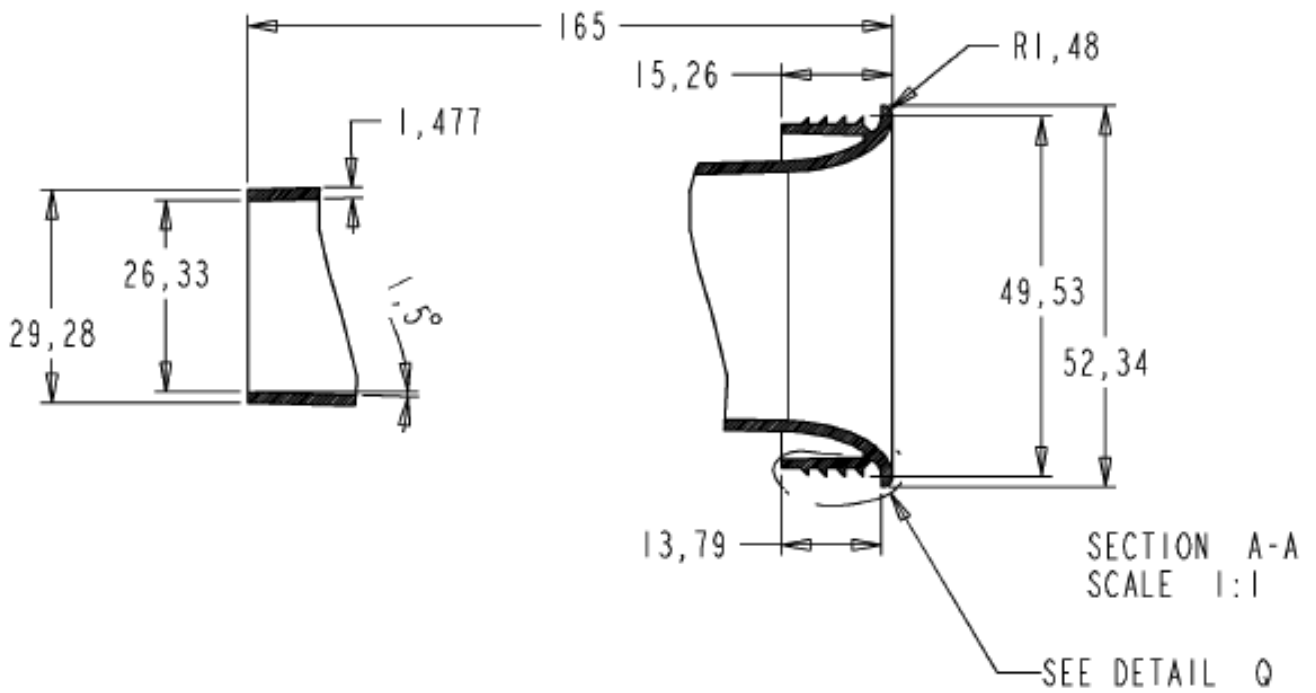
Z: 35 mm

H: min. 49,05 mm / max. 49,35 mm

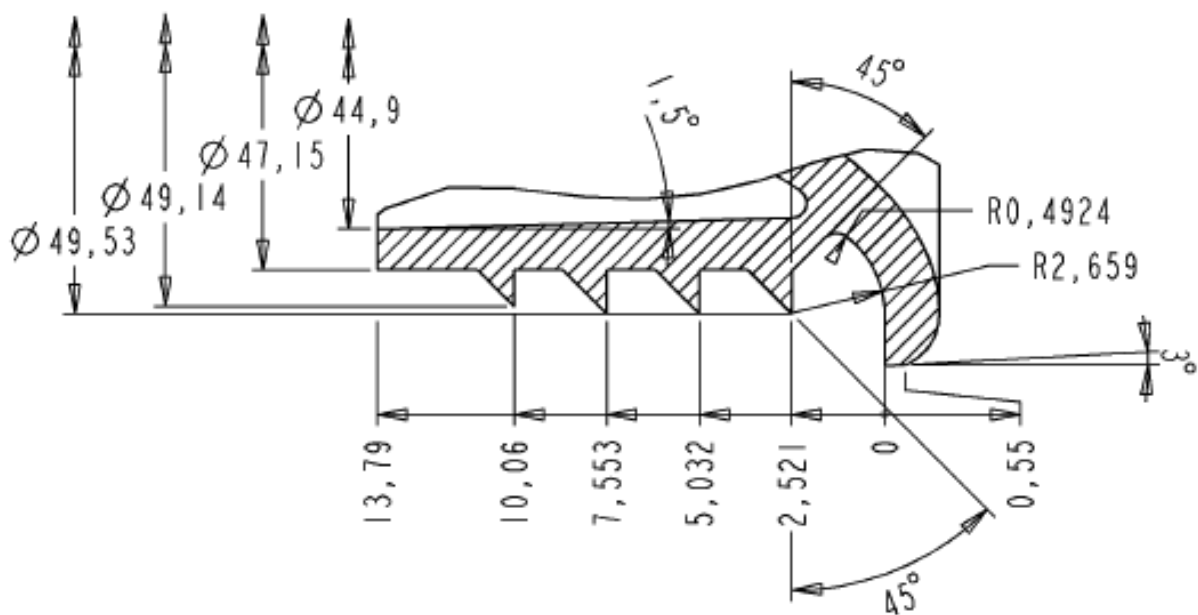
Weight: 26 grams

HP Port Tube - Model #900019

Technical drawings



DETAIL Q
SCALE 5:1



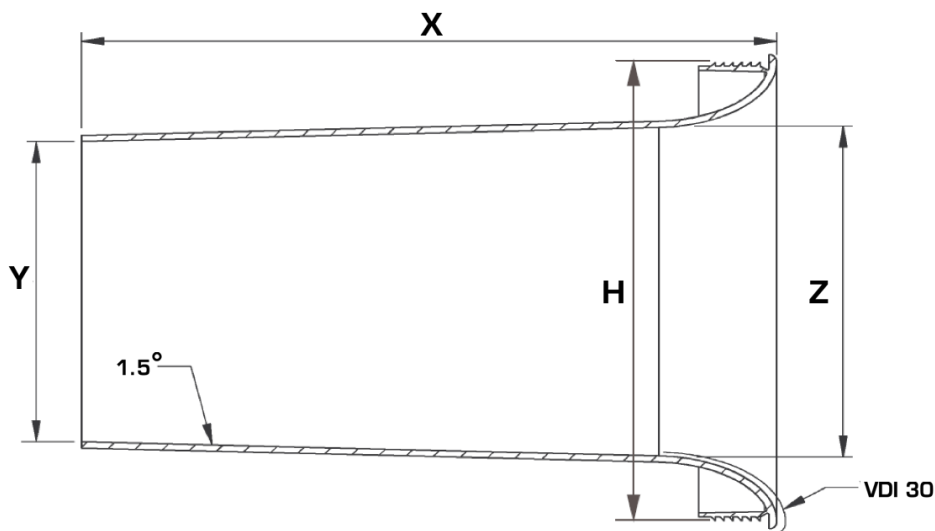
HP Port Tube - Model #900030

ø42,70 mm / length 123,40 mm

Product index: 051-0010



Sizing information:



X: 123,40 mm

Y: 37 mm

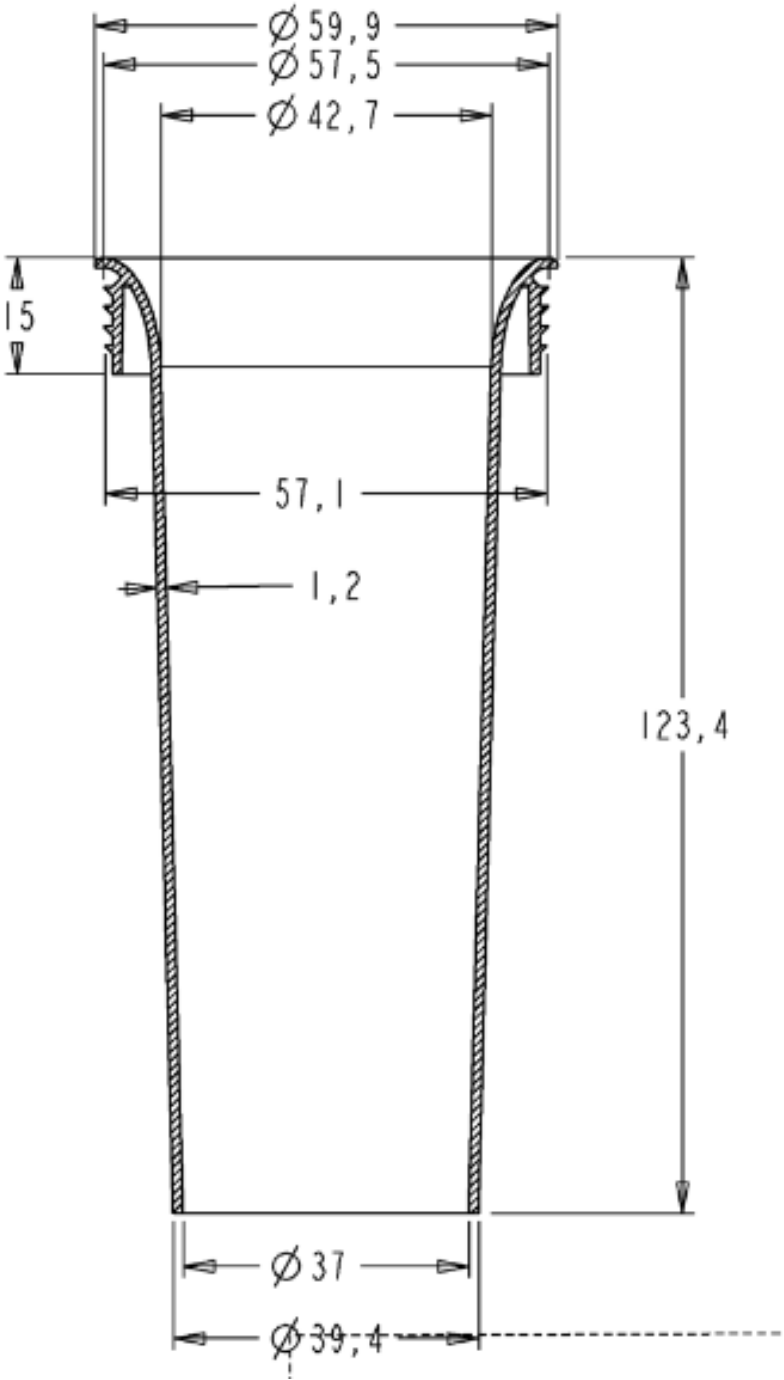
Z: 42,70 mm

H: min. 57,10 mm / max. 57,50 mm

Weight: 22 grams

HP Port Tube - Model #900030

Technical drawings



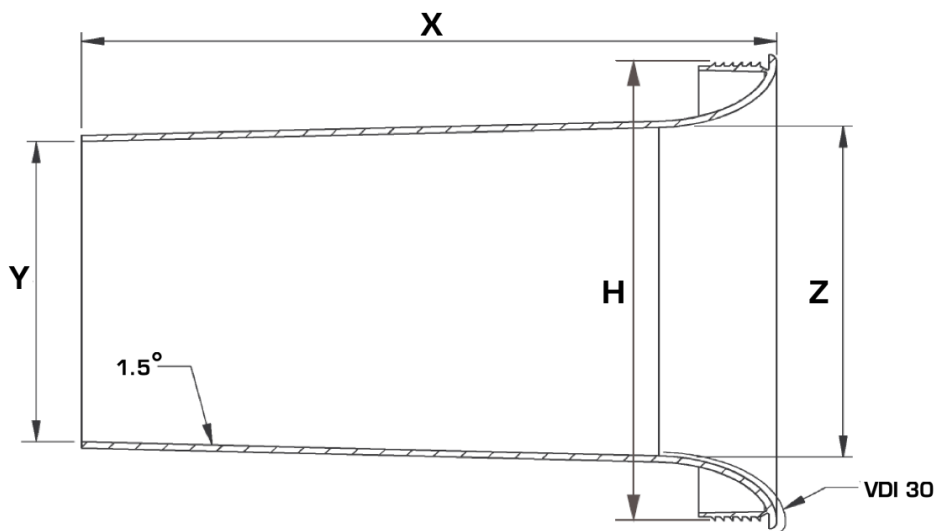
HP Port Tube - Model #900023

ø50 mm / length 143 mm

Product index: 051-0012



Sizing information:



X: 143 mm

Y: 43,25 mm

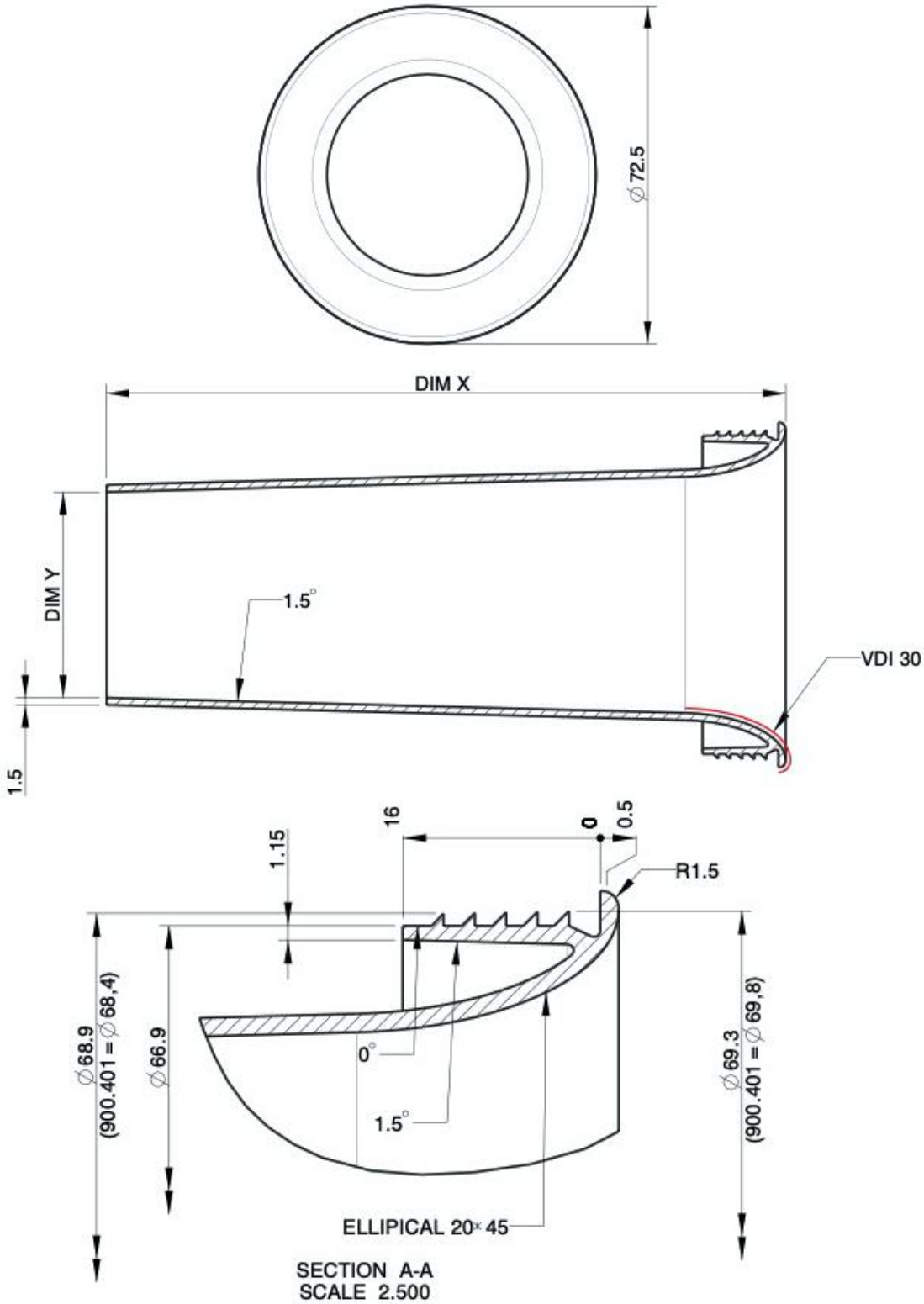
Z: 50 mm

H: min. 69,10 mm / max. 69,50 mm

Weight: 36 grams

HP Port Tube - Model #900023

Technical drawings



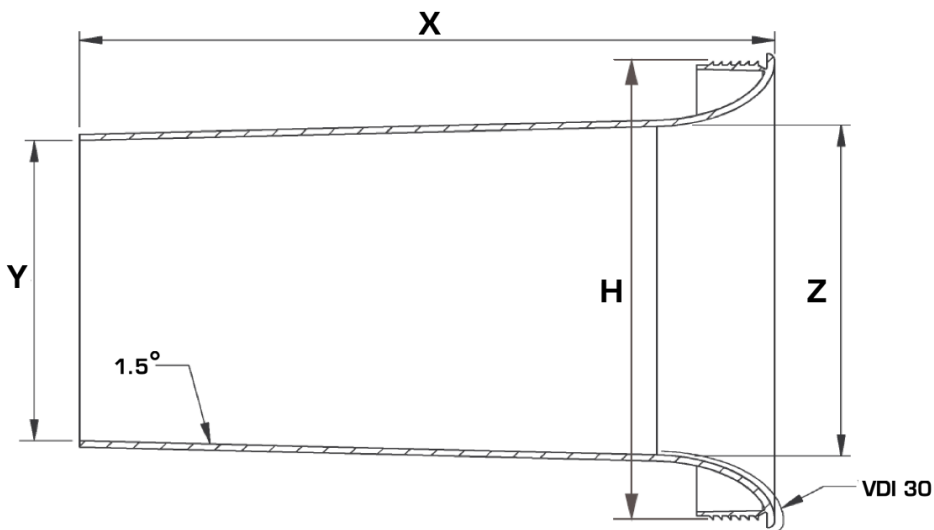
HP Port Tube - Model #900332

ø50 mm / length 185 mm

Product index: 051-0013



Sizing information:



X: 185 mm

Y: 47 mm

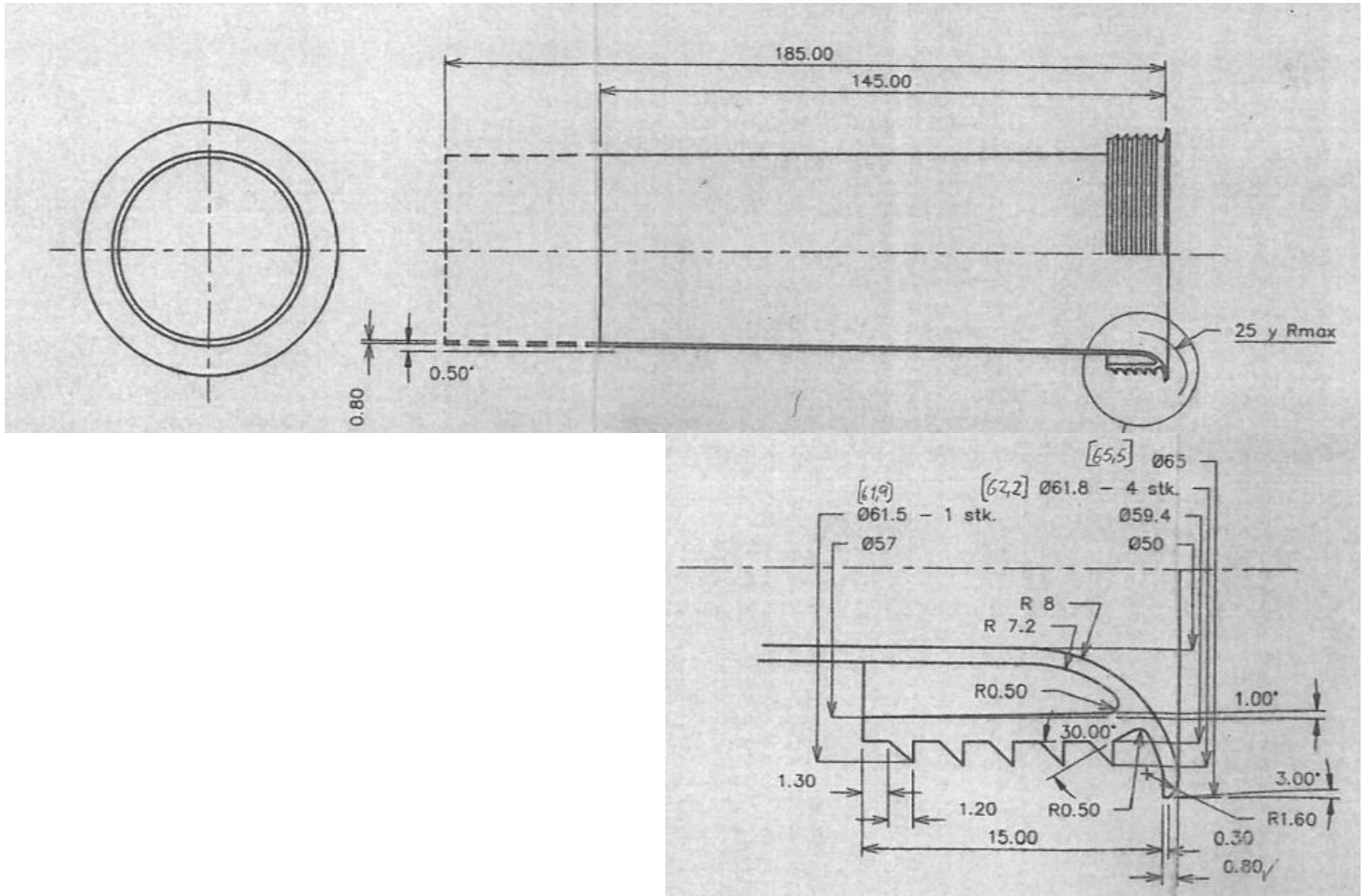
Z: 50 mm

H: min. 62 mm / max. $\pm 0,20$ mm

Weight: 39 grams

HP Port Tube - Model #900332

Technical drawings



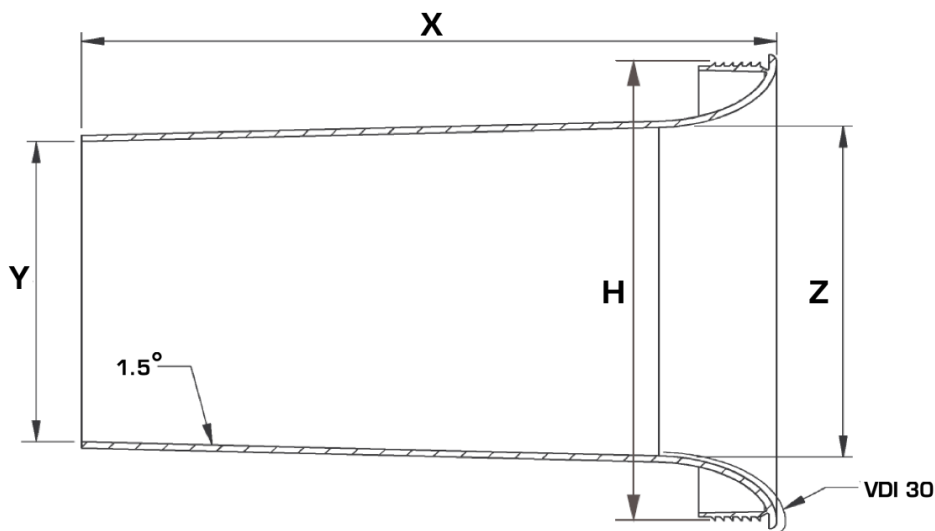
HP Port Tube - Model #900027

ø68 mm / length 116,60 mm

Product index: 051-0014



Sizing information:



X: 116,60 mm

Y: 62,95 mm

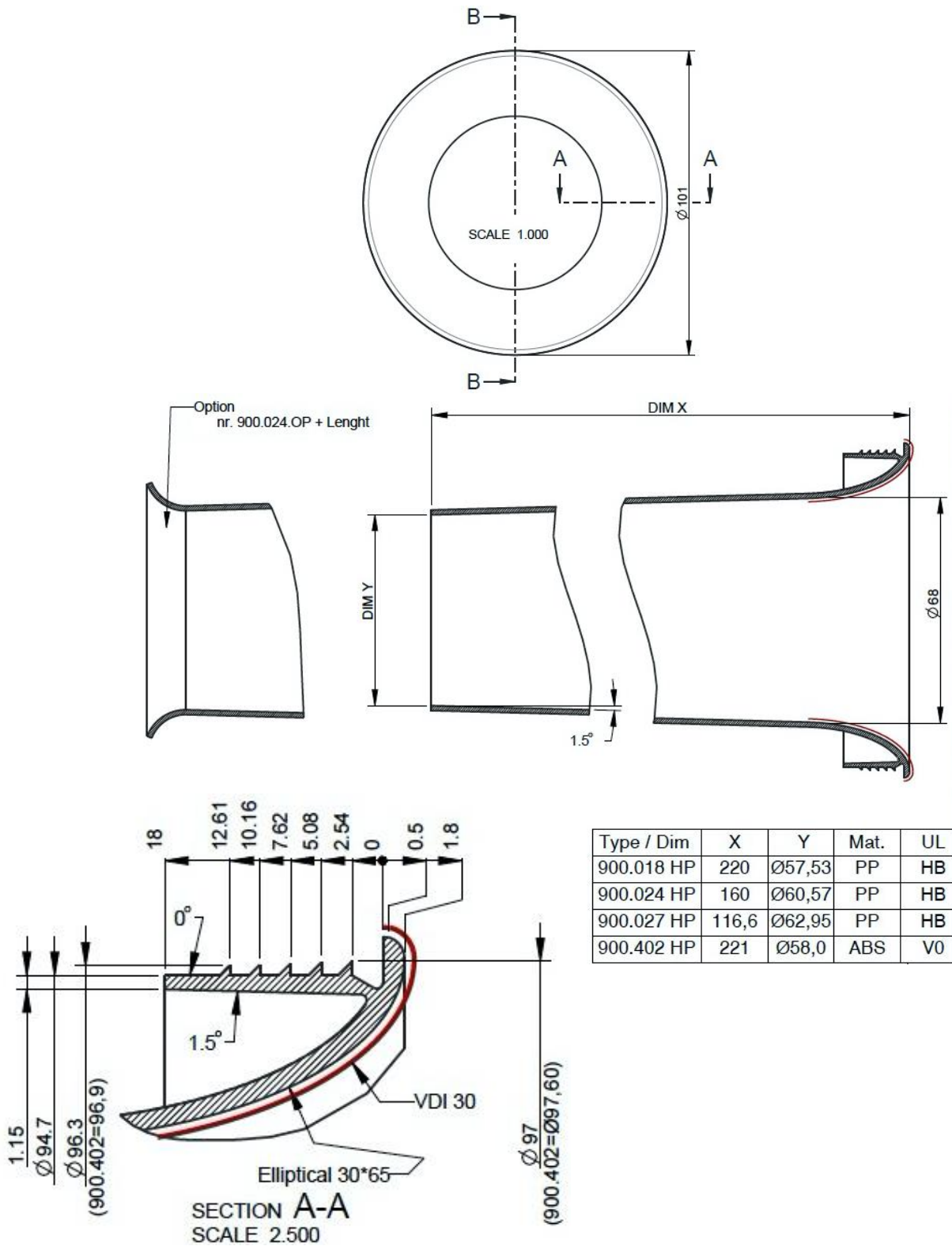
Z: 68 mm

H: min. 97,25 mm / max. 97,75 mm

Weight: 47 grams

HP Port Tube - Model #900027

Technical drawings



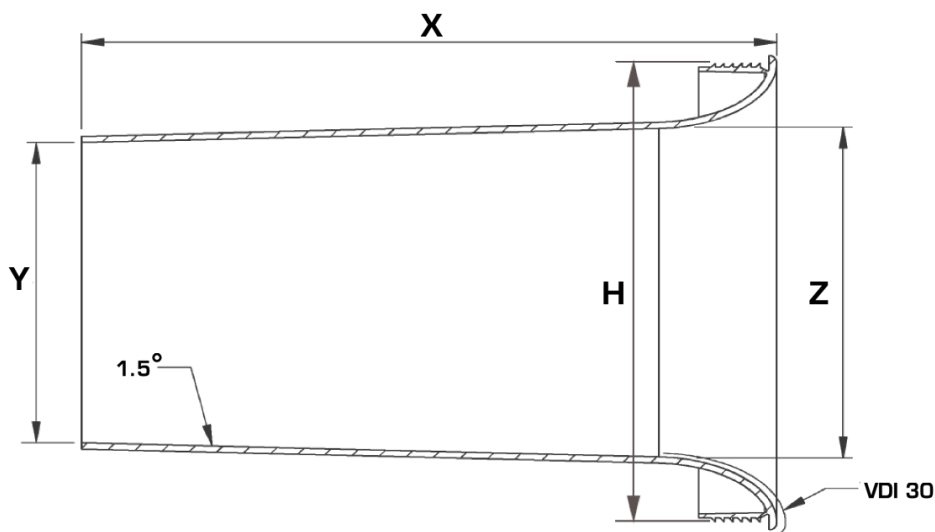
HP Port Tube - Model #900024

ø68 mm / length 160 mm

Product index: 051-0016



Sizing information:



X: 160 mm

Y: 60,57 mm

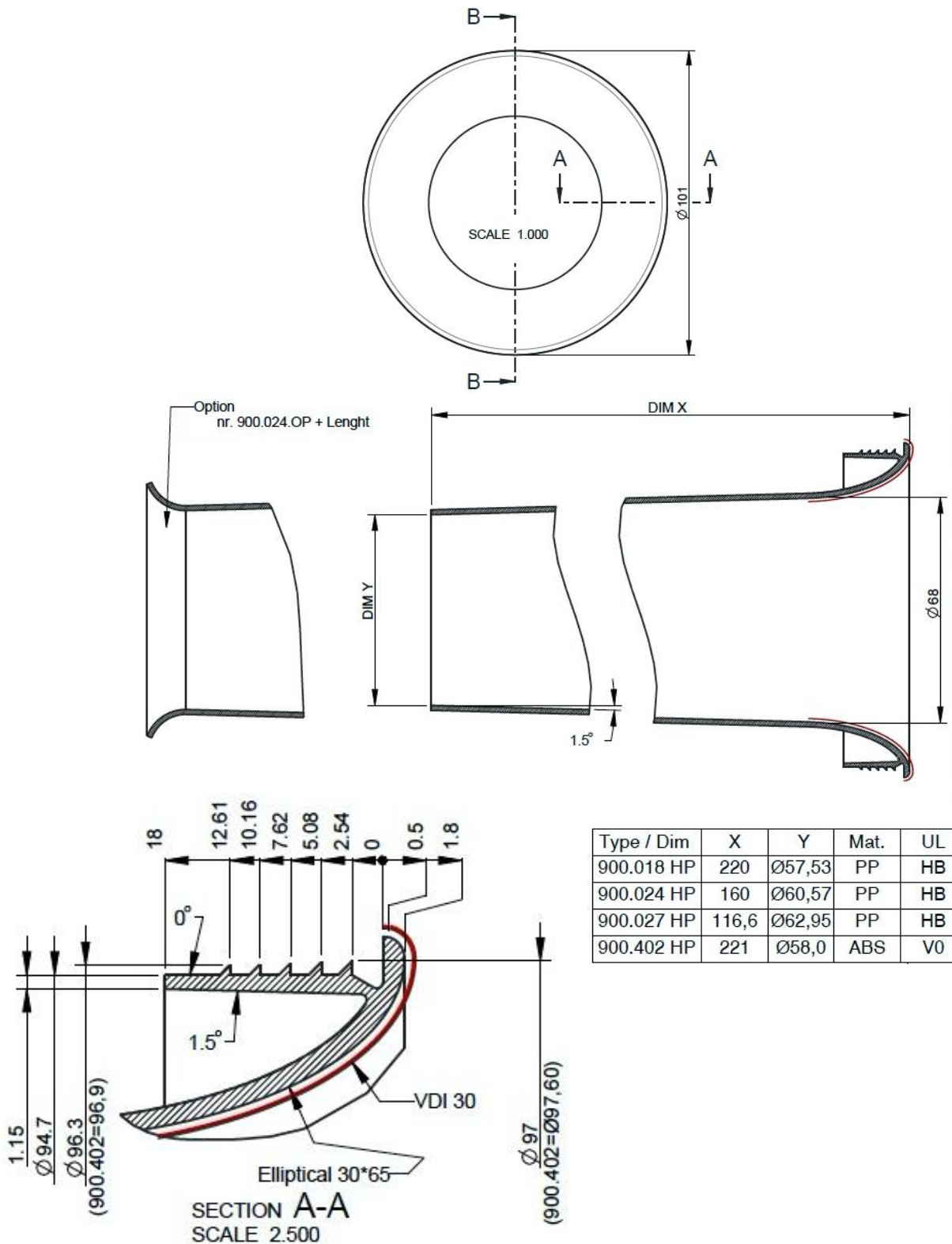
Z: 68 mm

H: min. 97,25 mm / max. 97,75 mm

Weight: 59 grams

HP Port Tube - Model #900024

Technical drawings



Type / Dim	X	Y	Mat.	UL
900.018 HP	220	$\varnothing 57,53$	PP	HB
900.024 HP	160	$\varnothing 60,57$	PP	HB
900.027 HP	116,6	$\varnothing 62,95$	PP	HB
900.402 HP	221	$\varnothing 58,0$	ABS	V0

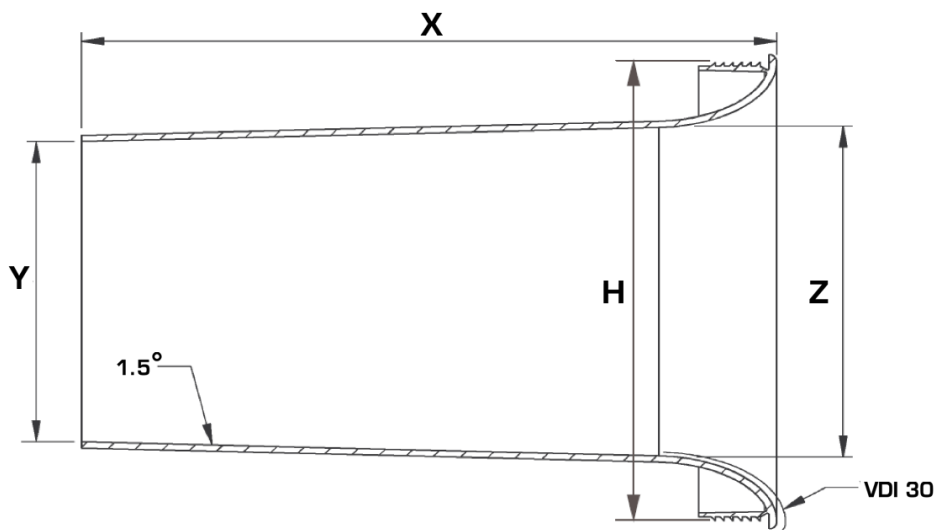
HP Port Tube - Model #900018

ø68 mm / length 220 mm

Product index: 051-0018



Sizing information:



X: 220 mm

Y: 57,35 mm

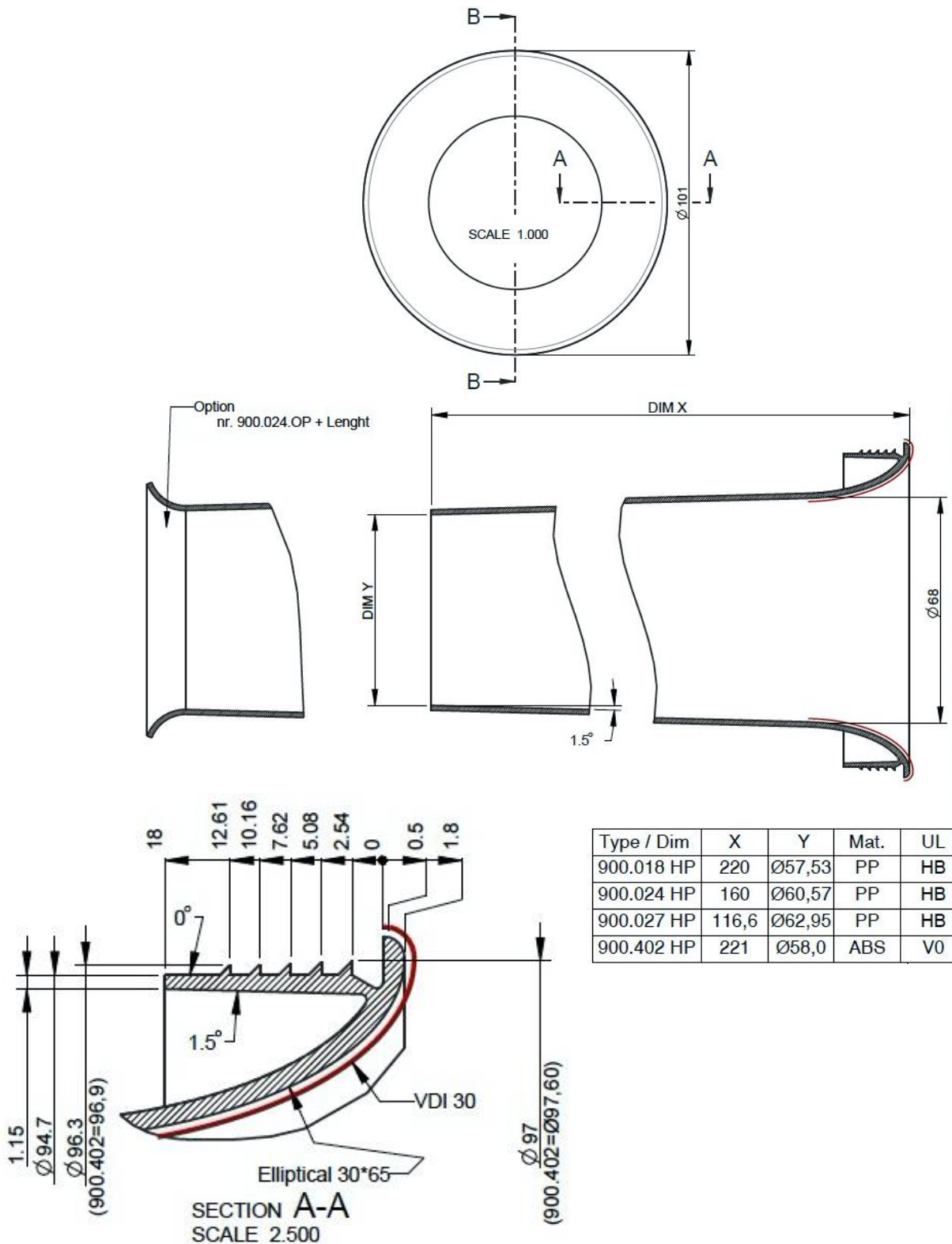
Z: 68 mm

H: min. 97,25 mm / max. 97,75 mm

Weight: 69 grams

HP Port Tube - Model #900018

Technical drawings



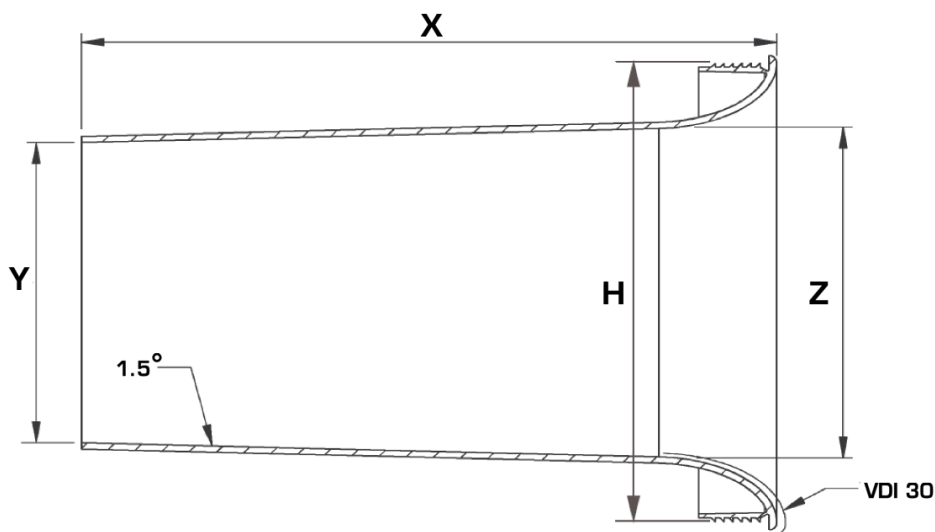
HP Port Tube - Model #900028

ø100 mm / length 142 mm

Product index: 051-0020



Sizing information:



X: 142 mm

Y: 93,55 mm

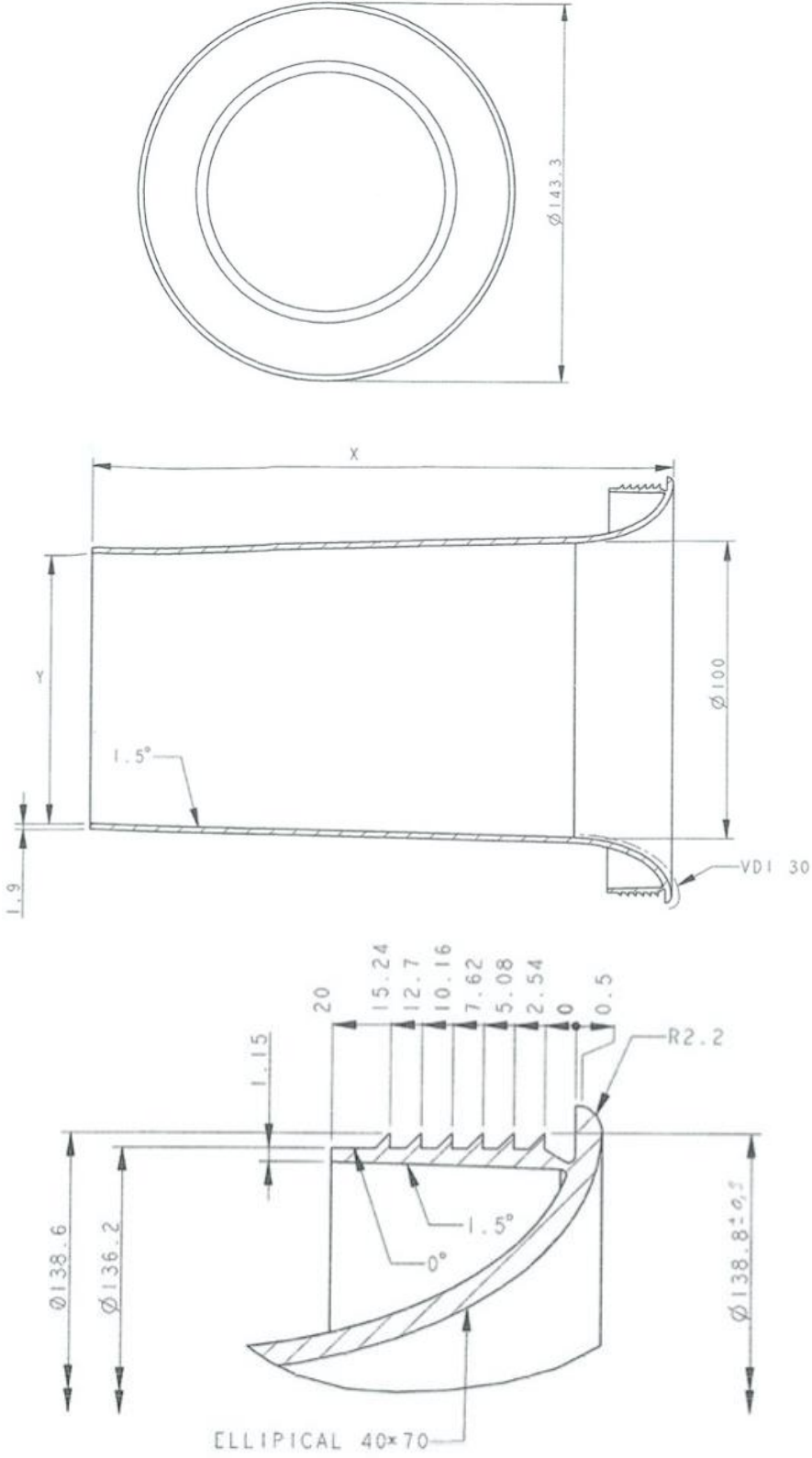
Z: 100 mm

H: min. 138,50 mm / max. 139,10 mm

Weight: 101 grams

HP Port Tube - Model #900028

Technical drawings



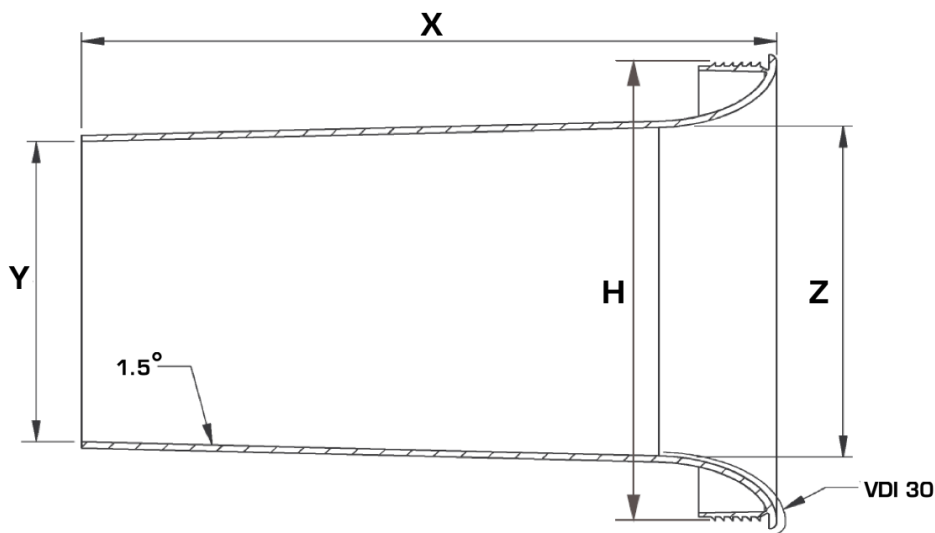
HP Port Tube - Model #900029

ø100 mm / length 197 mm

Product index: 051-0022



Sizing information:



X: 197 mm

Y: 90,69 mm

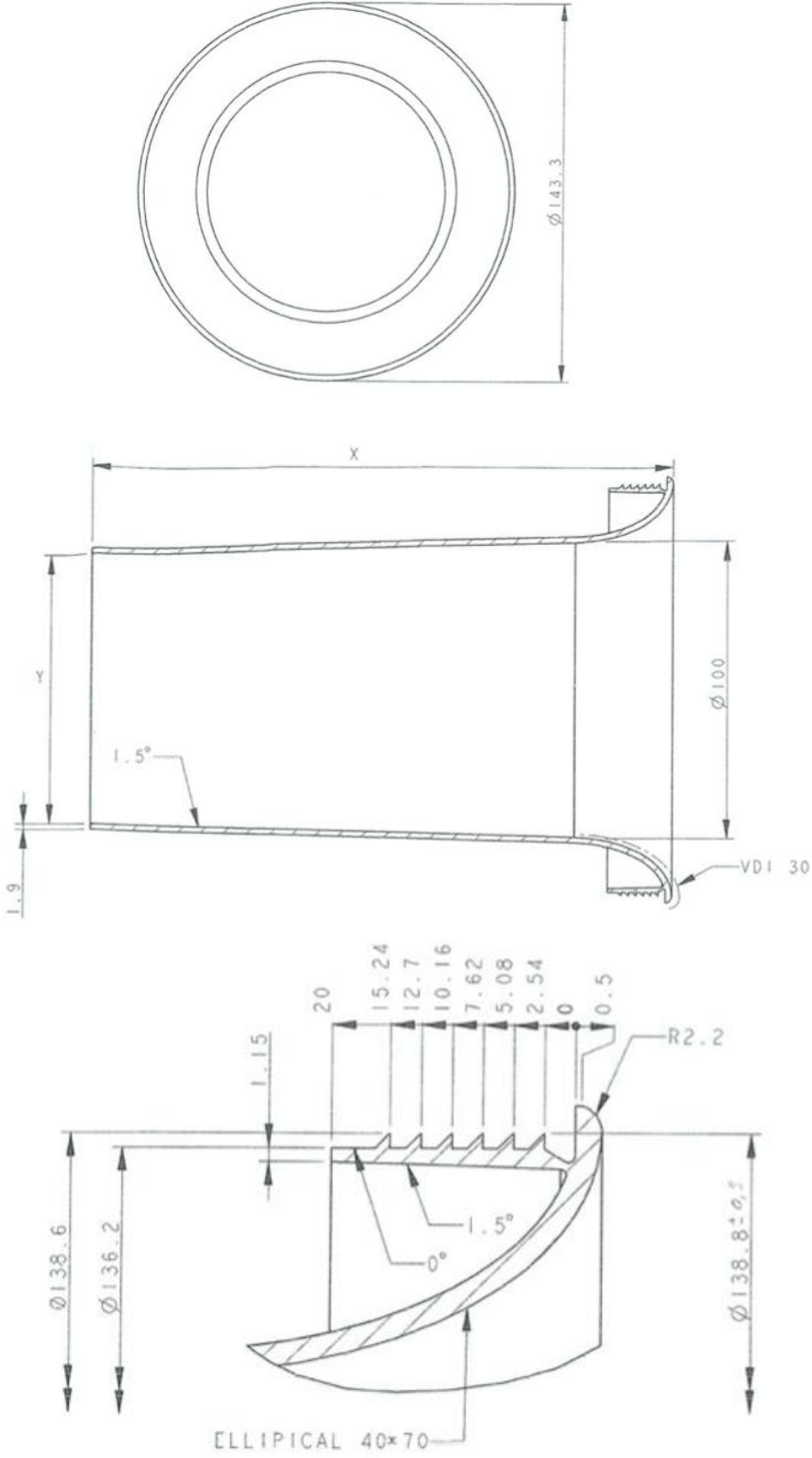
Z: 100 mm

H: min. 138,50 mm / max. 139,10 mm

Weight: 126 grams

HP Port Tube - Model #900029

Technical drawings



90° Male To Female Elbow

ø70 mm - Part #900128

Product index: 051-0024



Application:

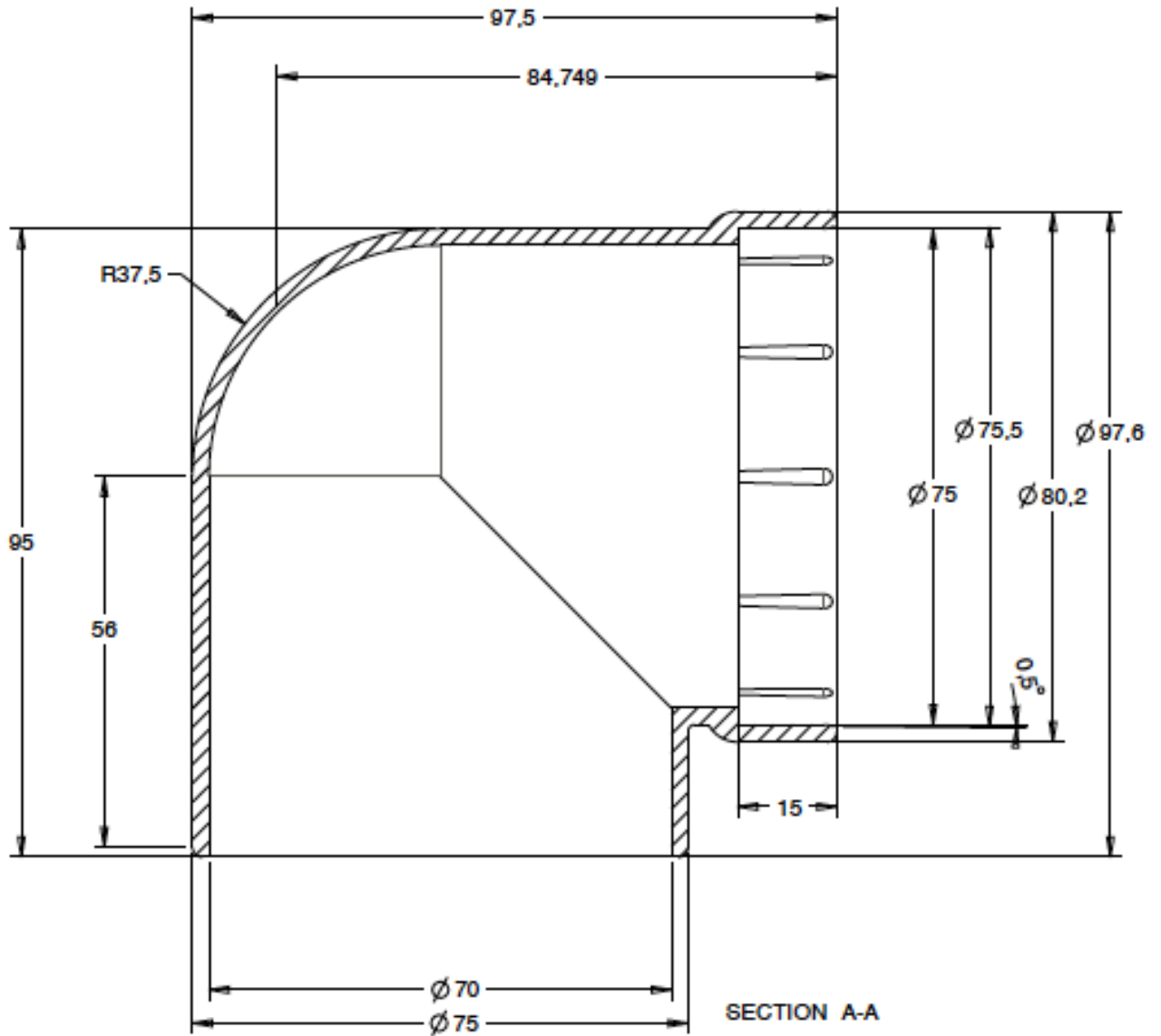
Male to female elbow for use as a part of a 3-part/4-piece port tube

Diameter: 70 mm

Weight: 70 grams

90° Male To Female Elbow

Technical drawings



90° Male to female elbow

ø100 mm - Part #900129

Product index: 051-0026



Application:

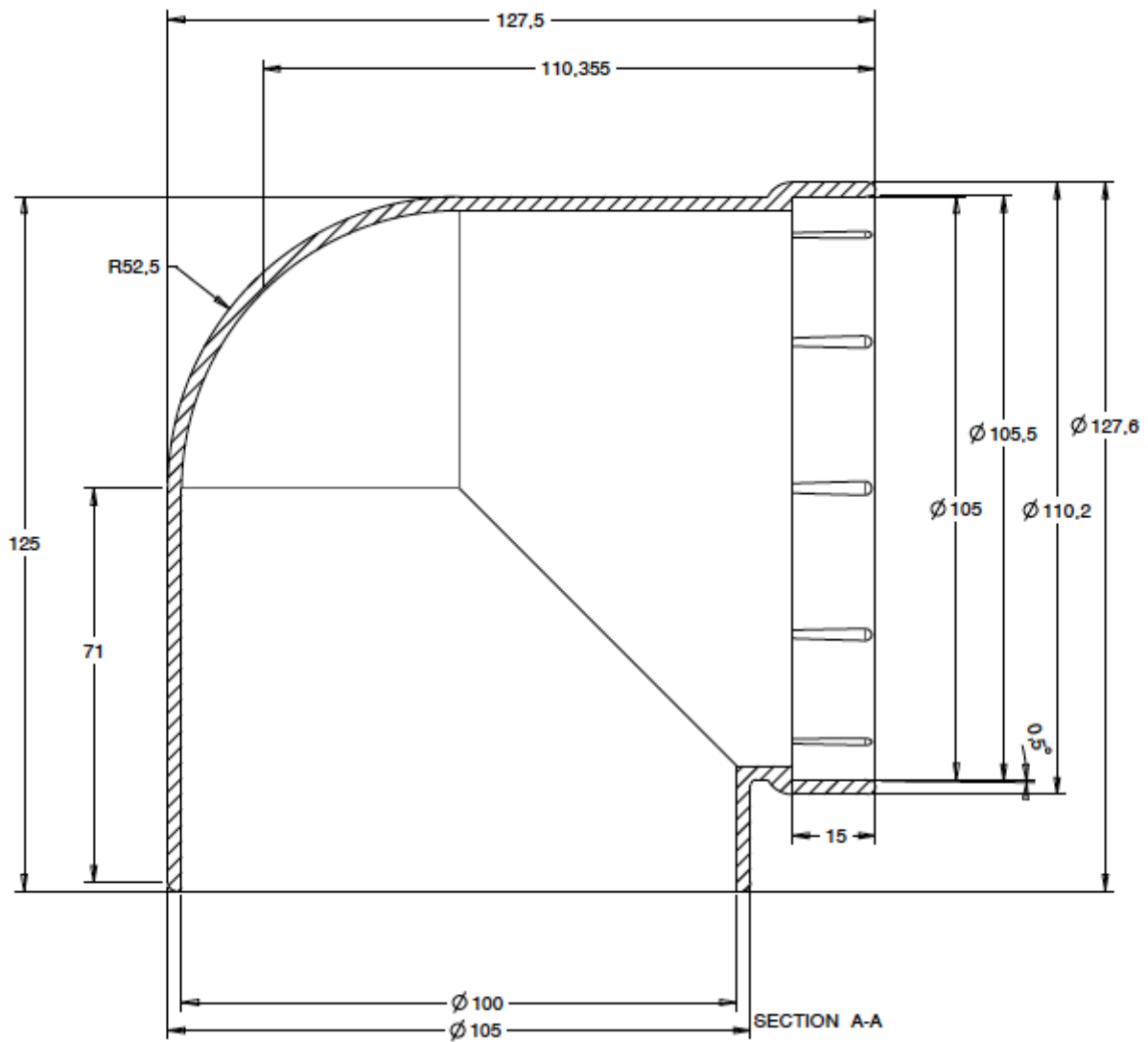
Male to female elbow for use as part of a 3-part/4-piece port tube

Diameter: 100 mm

Weight: 125 grams

90° Male to female elbow

Technical drawings



Inside flair - \varnothing 70 mm

Part #900067

Product index: 051-0028



Application:

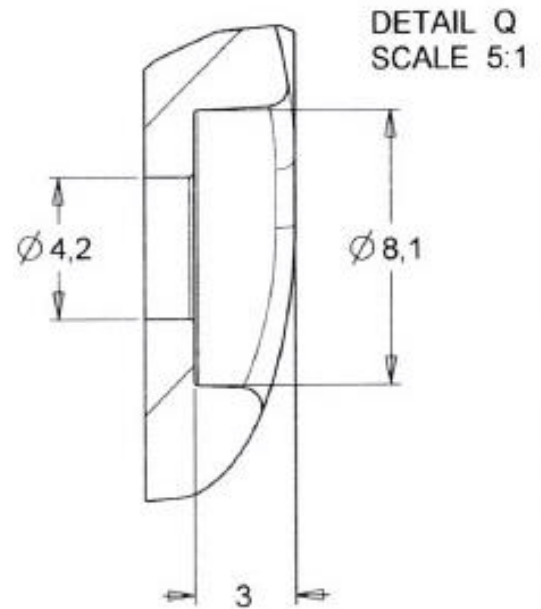
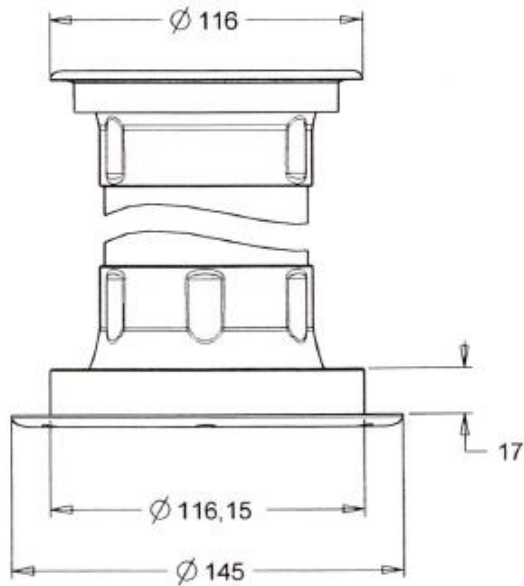
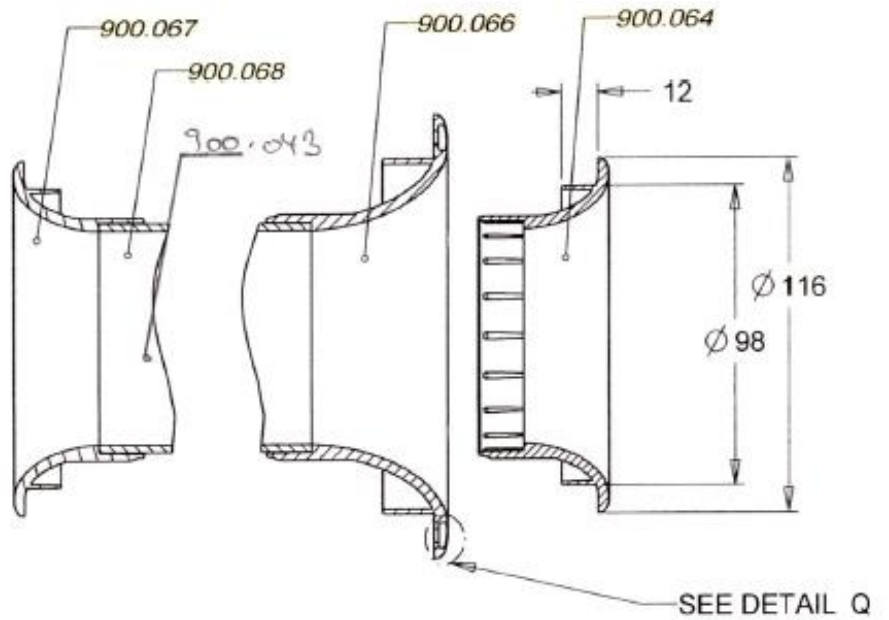
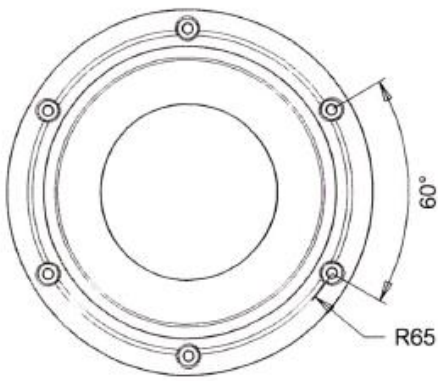
Inside flair for use as part of a 3-part/4-piece port tube

Diameter: 70 mm

Weight: 48 grams

Inside flair - $\phi 70$ mm

Technical drawings



Inside flair - \varnothing 100 mm

Part #900049

Product index: 051-0032



Application:

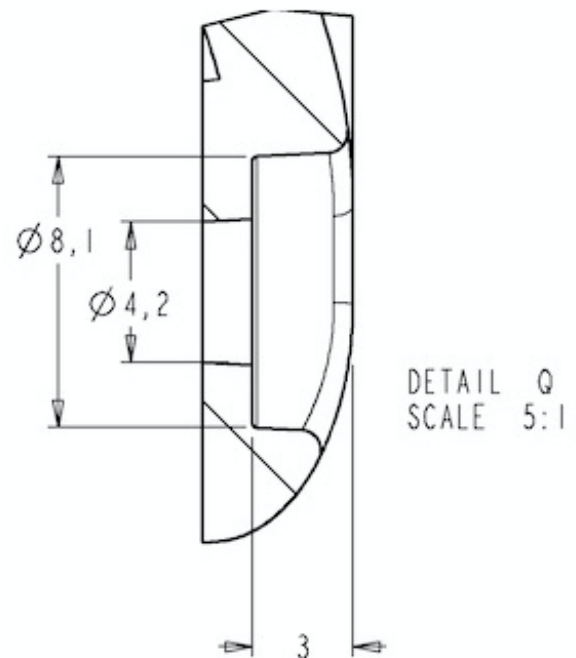
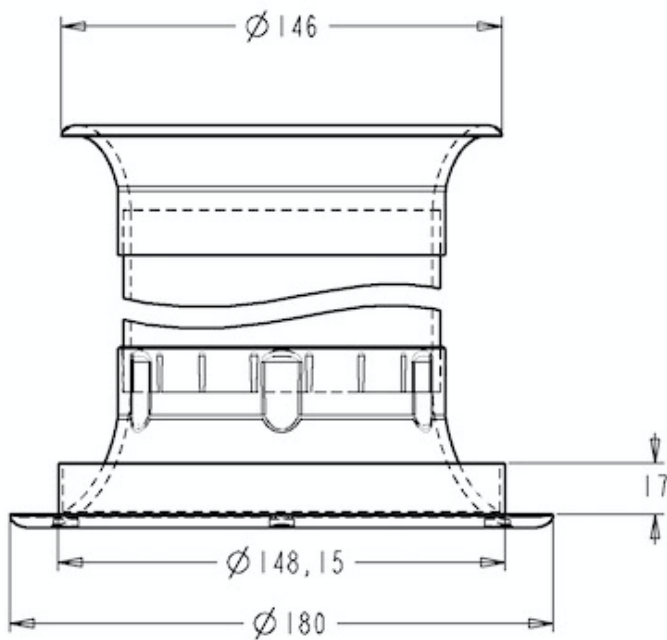
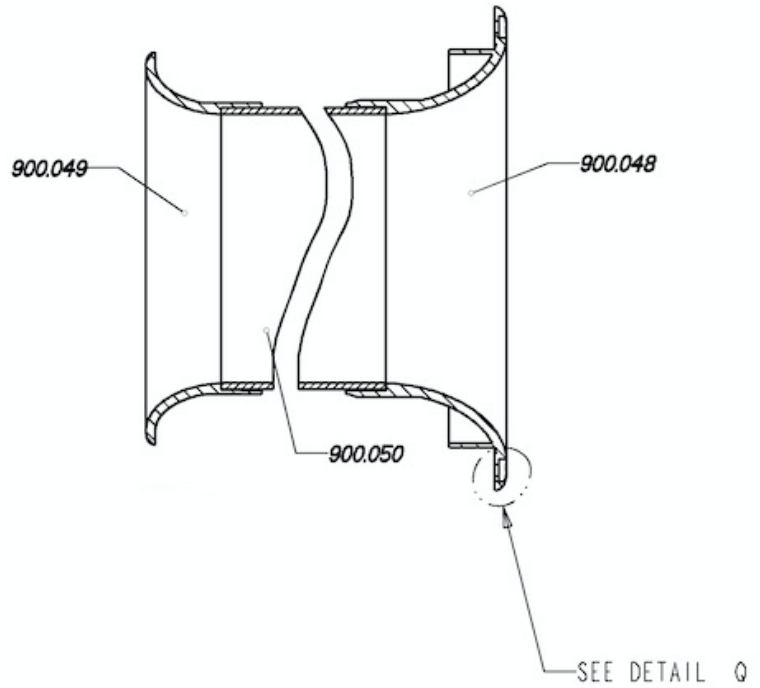
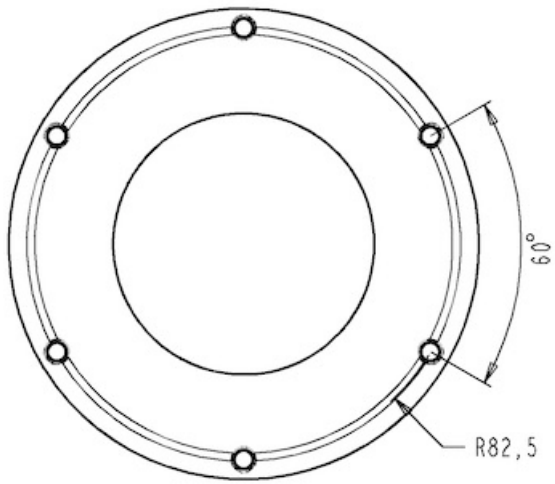
Inside flair for use as part of a 3-part/4-piece port tube

Diameter: 100 mm

Weight: 57 grams

Inside flair - $\varnothing 100$ mm

Technical drawings



Outside flair - \varnothing 70 mm

Part #900066

Product index: 051-0030



Application:

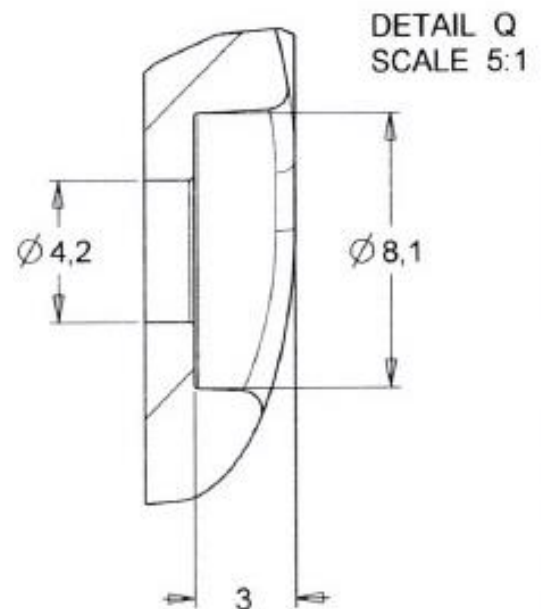
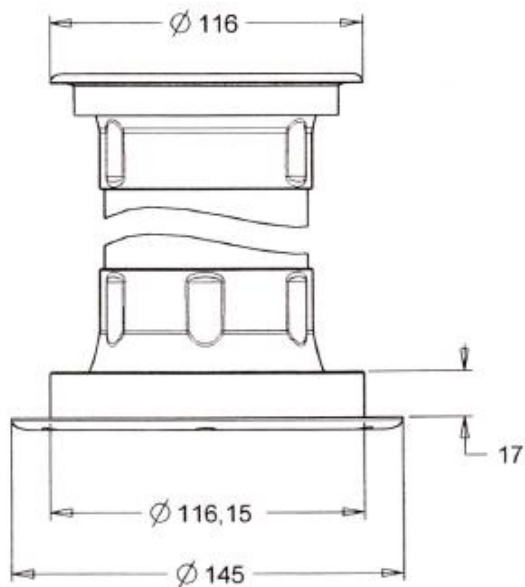
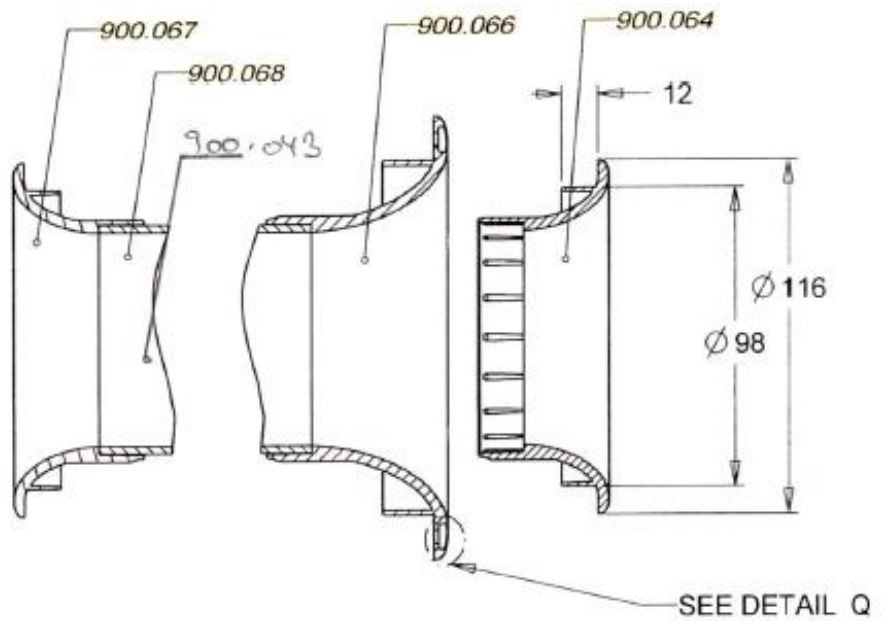
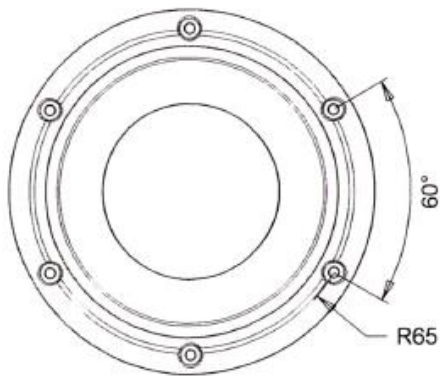
Outside flair for use as part of a 3-part/4-piece port tube

Diameter: 70 mm

Weight: 87 grams

Outside flair - $\phi 70$ mm

Technical drawings



Outside flair - \varnothing 100 mm

Part #900048

Product index: 051-0034



Application:

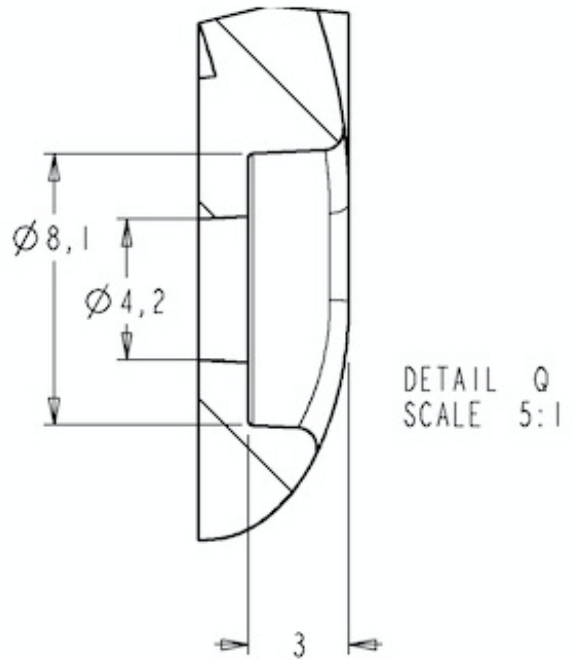
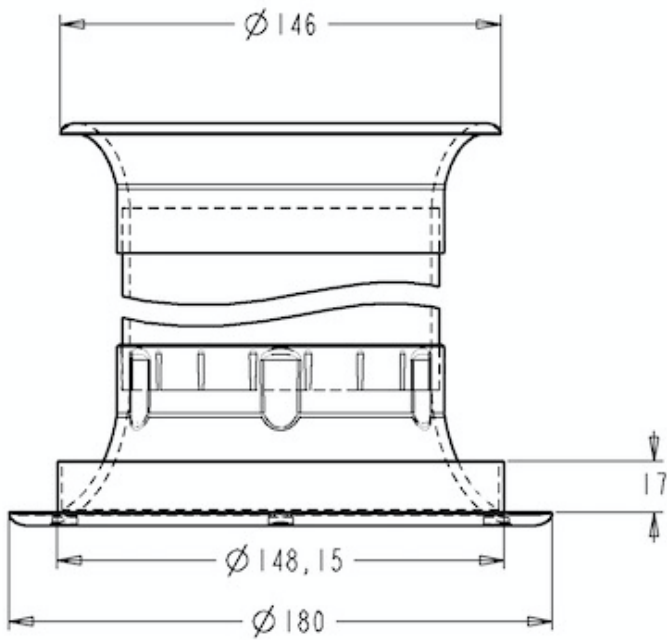
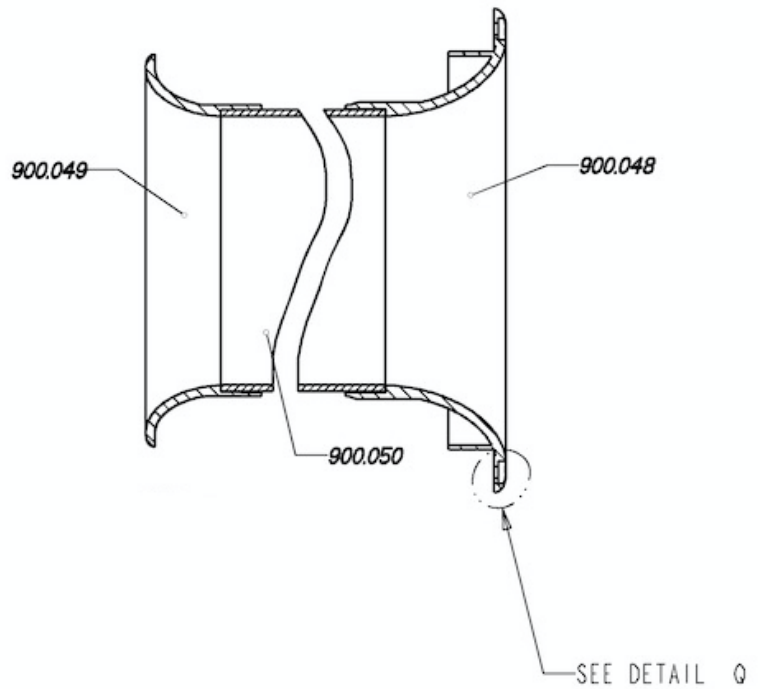
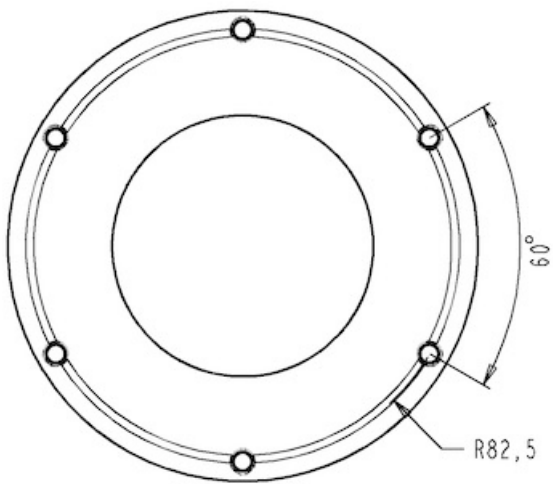
Outside flair for use as part of a 3-part/4-piece port tube

Diameter: 100 mm

Weight: 115 grams

Outside flair - $\varnothing 100$ mm

Technical drawings



Straight Pipe - $\varnothing 70$ mm / Length 235 mm

Part #900043

Product index: 051-0035



Application:

Straight pipe for use as part of a 3-part/4-piece port tube

Diameter: 70 mm

Length: 235 mm

Weight: 124 grams

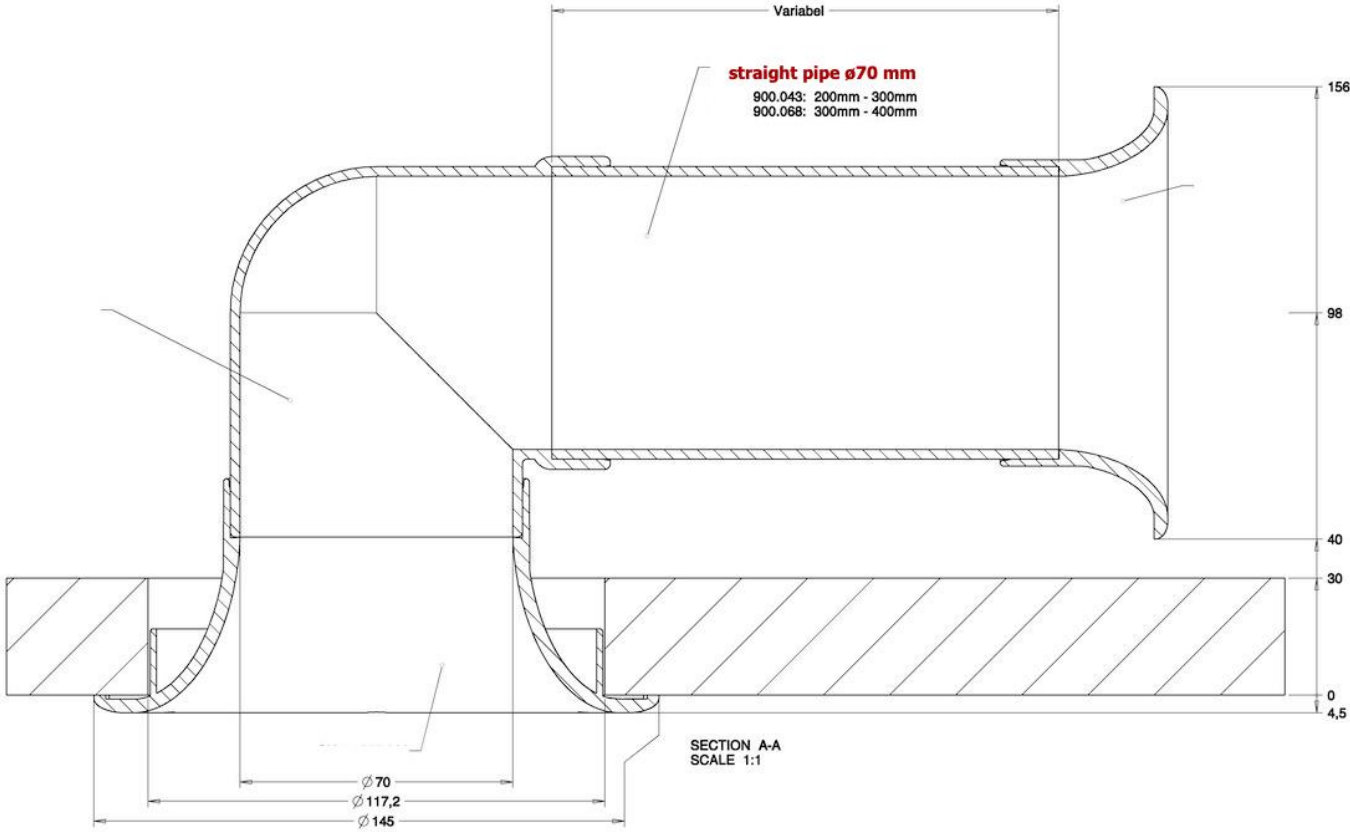
Technical drawing:

Kindly contact us for a technical drawing.

Send mail

Straight Pipe - $\phi 70$ mm / Length 235 mm

Technical drawings



Straight Pipe - \varnothing 70 mm / Length 400 mm

Part #900068

Product index: 051-0036



Application:

Straight pipe for use as part of a 3-part/4-piece port tube

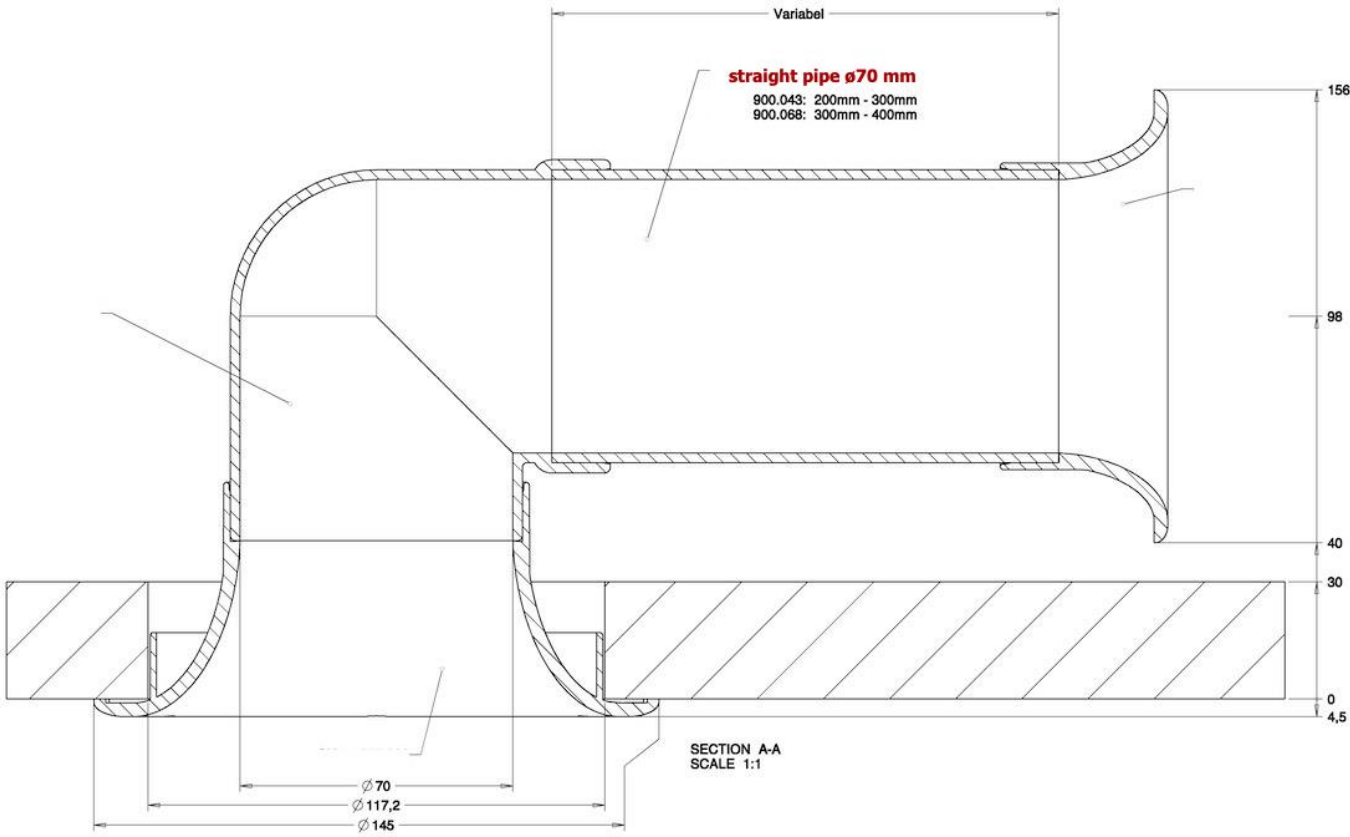
Diameter: 70 mm

Length: 400 mm

Weight: 178 grams

Straight Pipe - $\phi 70$ mm / Length 400 mm

Technical drawings



Straight Pipe - \varnothing 100 mm / Length 400 mm

Part #900050

Product index: 051-0038



Application:

Straight pipe for use as part of a 3-part/4-piece port tube

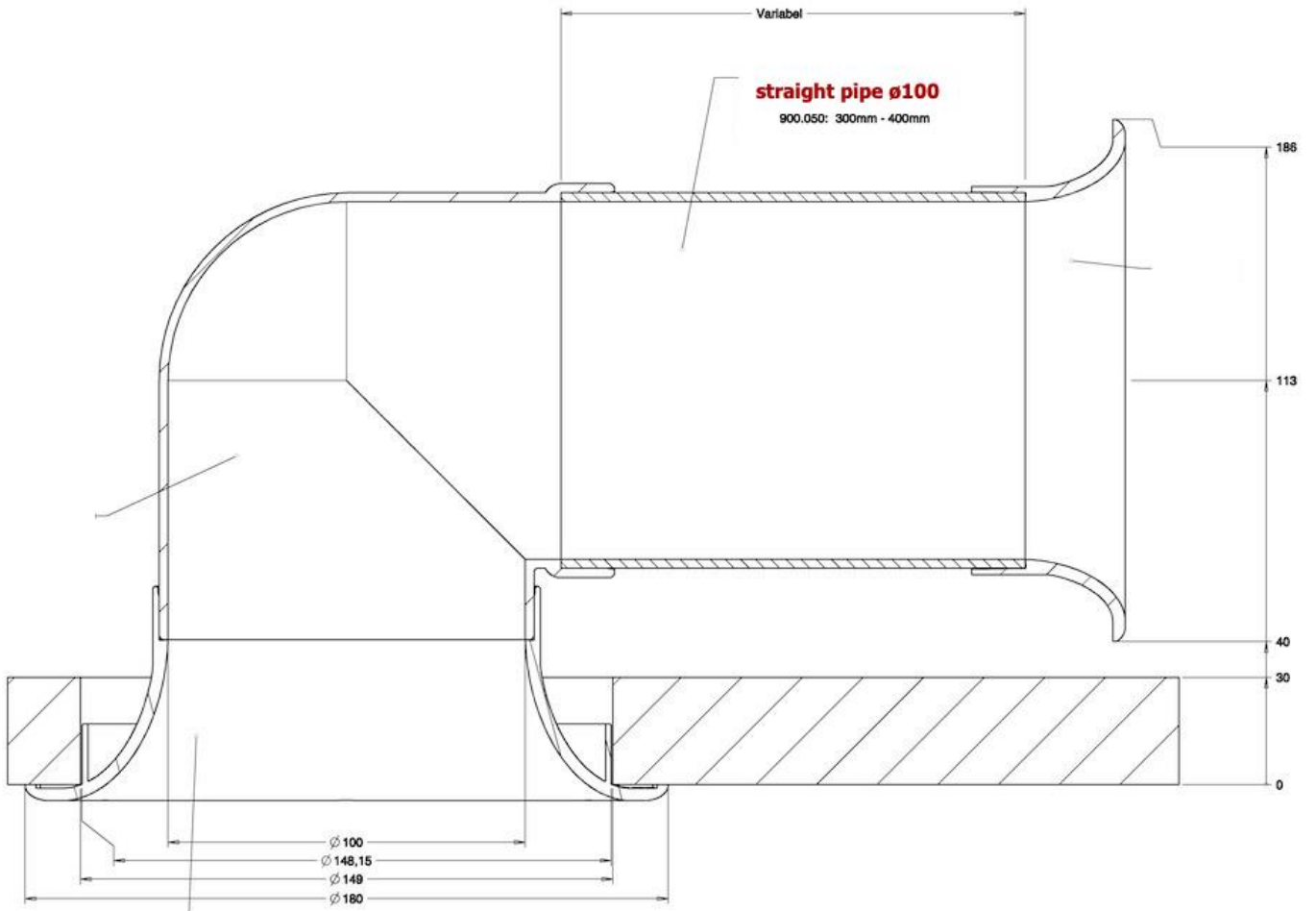
Diameter: 100 mm

Length: 400 mm

Weight: 300 grams

Straight Pipe - $\varnothing 100$ mm / Length 400 mm

Technical drawings



90° - ø70 mm - Port Tube Set

Product index: 051-0050



Application:

Makes a 3-part/4-piece 90° angled port tube

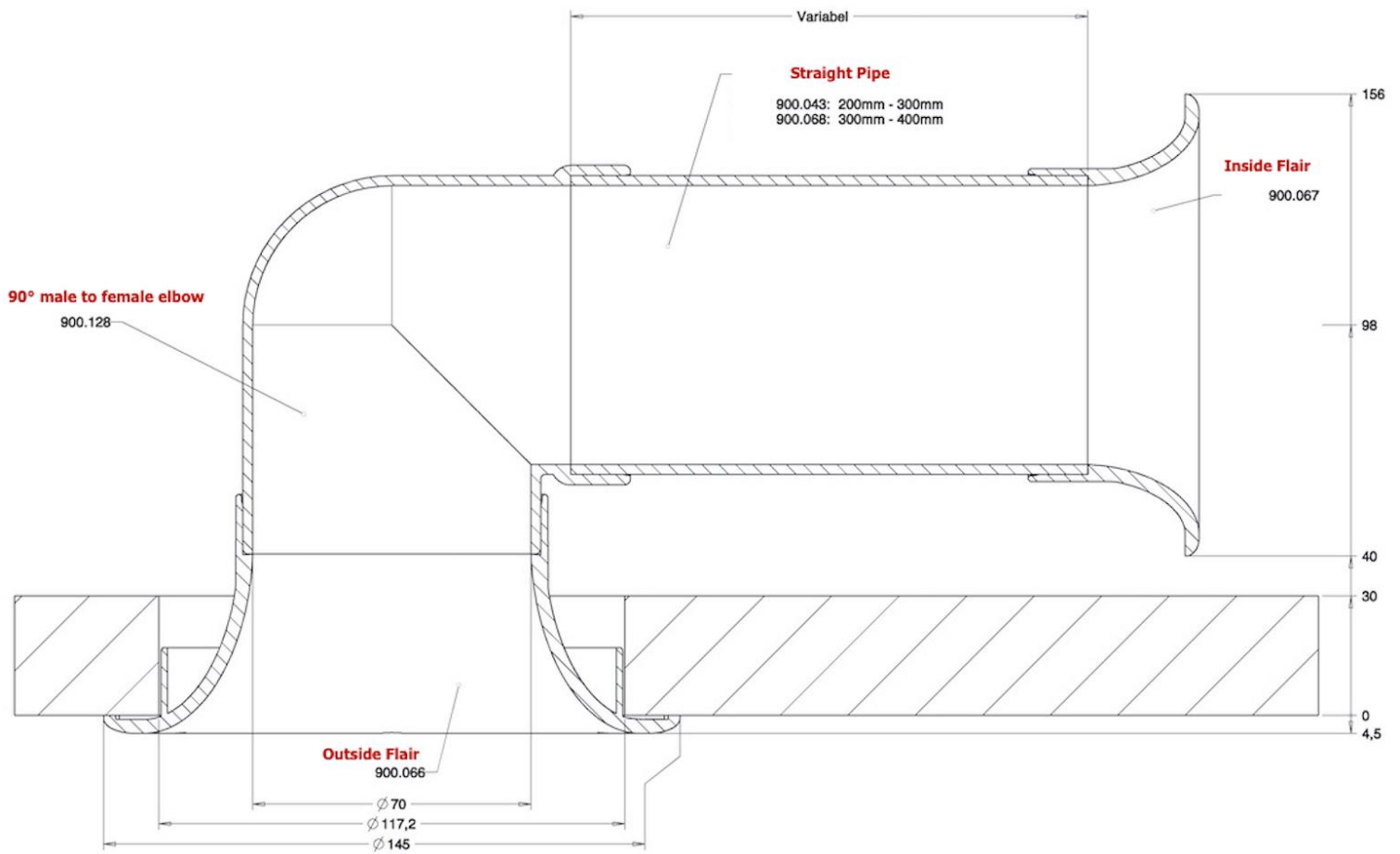
The Set Contains:

- 1 x ø70 mm / length 400 mm straight pipe
- 1 x ø70 mm male to female elbow
- 1 x ø70 mm inside flair
- 1 x ø70 mm outside flair

Weight: 382 kg

90° - ø70 mm - Port Tube Set

Technical drawings



90° - ø100 mm - Port Tube Set

Product index: 051-0051



Application:

Makes a 3-part/4-piece 90° angled port tube

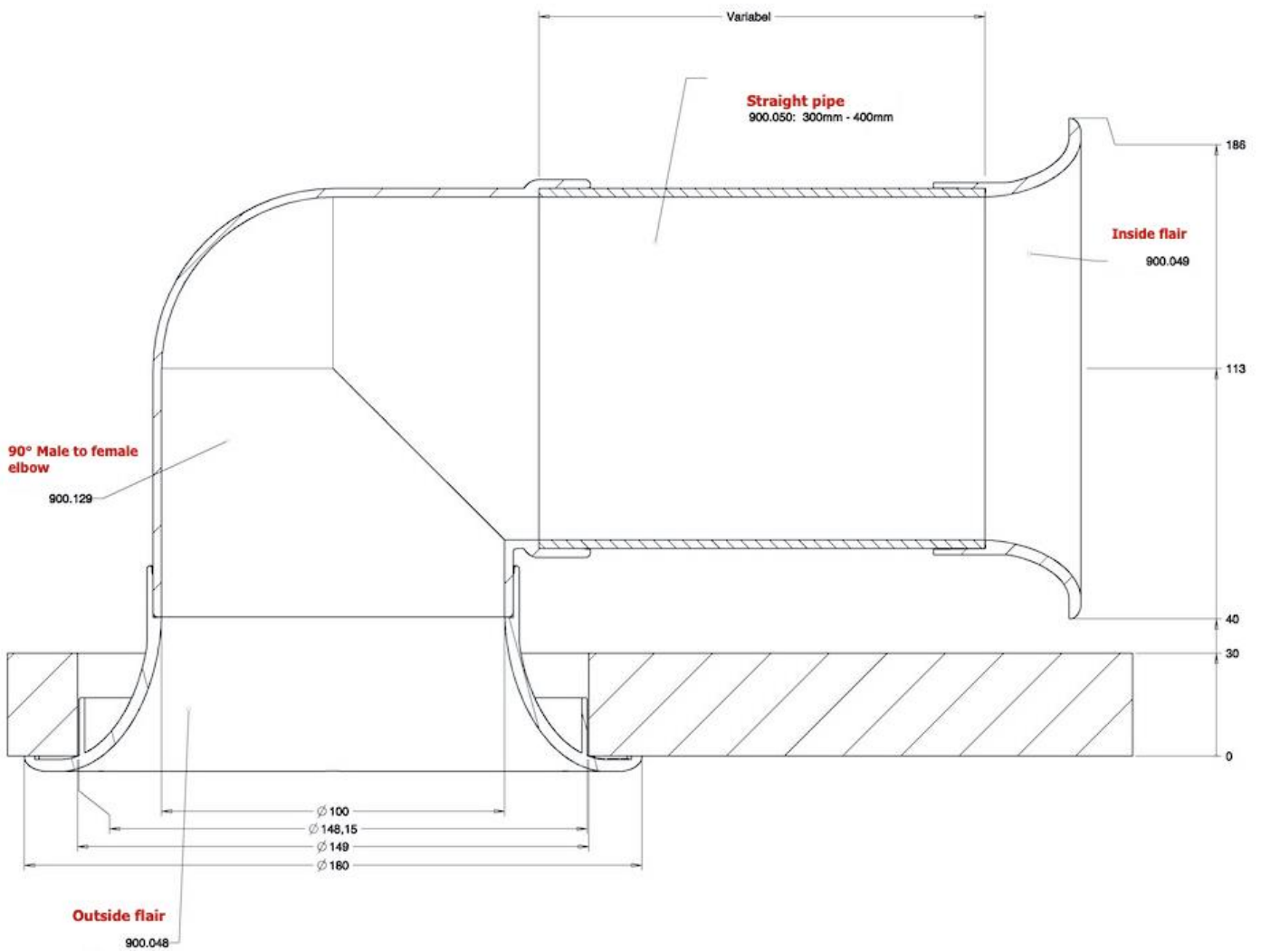
The Set Contains:

- 1 x ø100 mm / length 400 mm straight pipe
- 1 x ø100 mm male to female elbow
- 1 x ø100 mm inside flair
- 1 x ø100 mm outside flair

Weight: 570 grams

90° - \varnothing 100 mm - Port Tube Set

Technical drawings



Straight - $\varnothing 70$ mm - Port Tube Set

Product index: 051-0052



Application:

Makes a 3-part/3-piece straight port tube

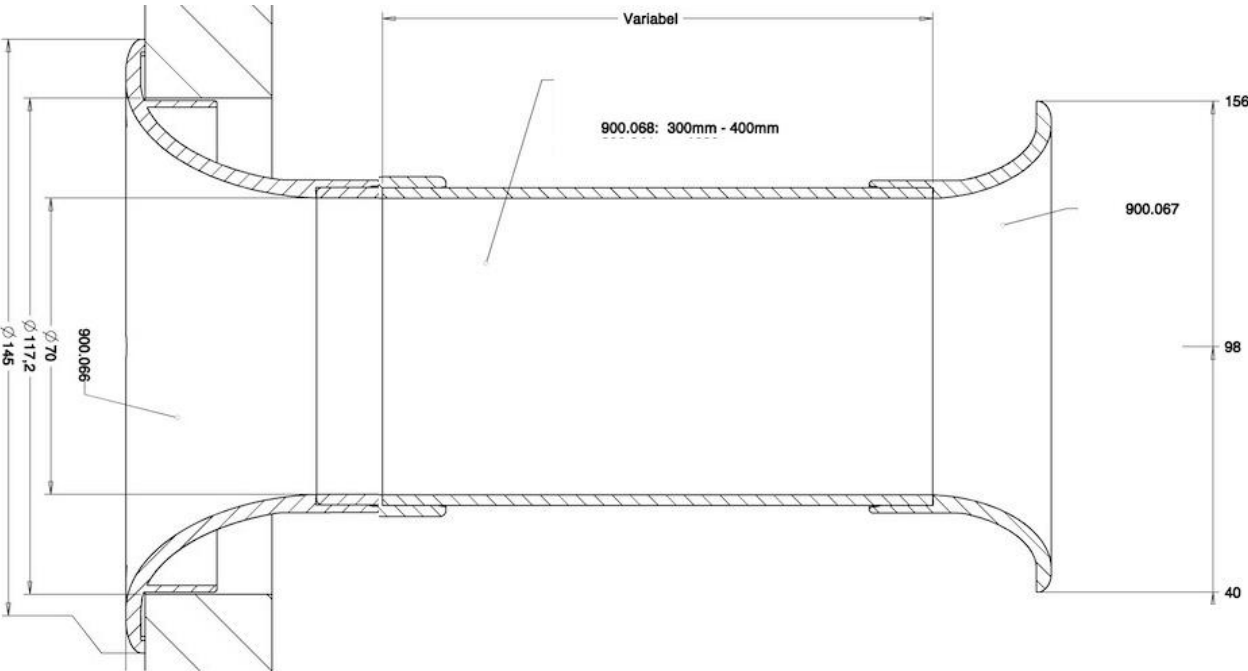
The Set Contains:

- 1 x $\varnothing 70$ mm / length 400 mm straight pipe
- 1 x $\varnothing 70$ mm inside flair
- 1 x $\varnothing 70$ mm outside flair

Weight: 313 grams

Straight - $\phi 70$ mm - Port Tube Set

Technical drawings



Straight - \varnothing 100 mm - Port Tube Set

Product index: 051-0053



Application:

Makes a 3-part/3-piece straight port tube

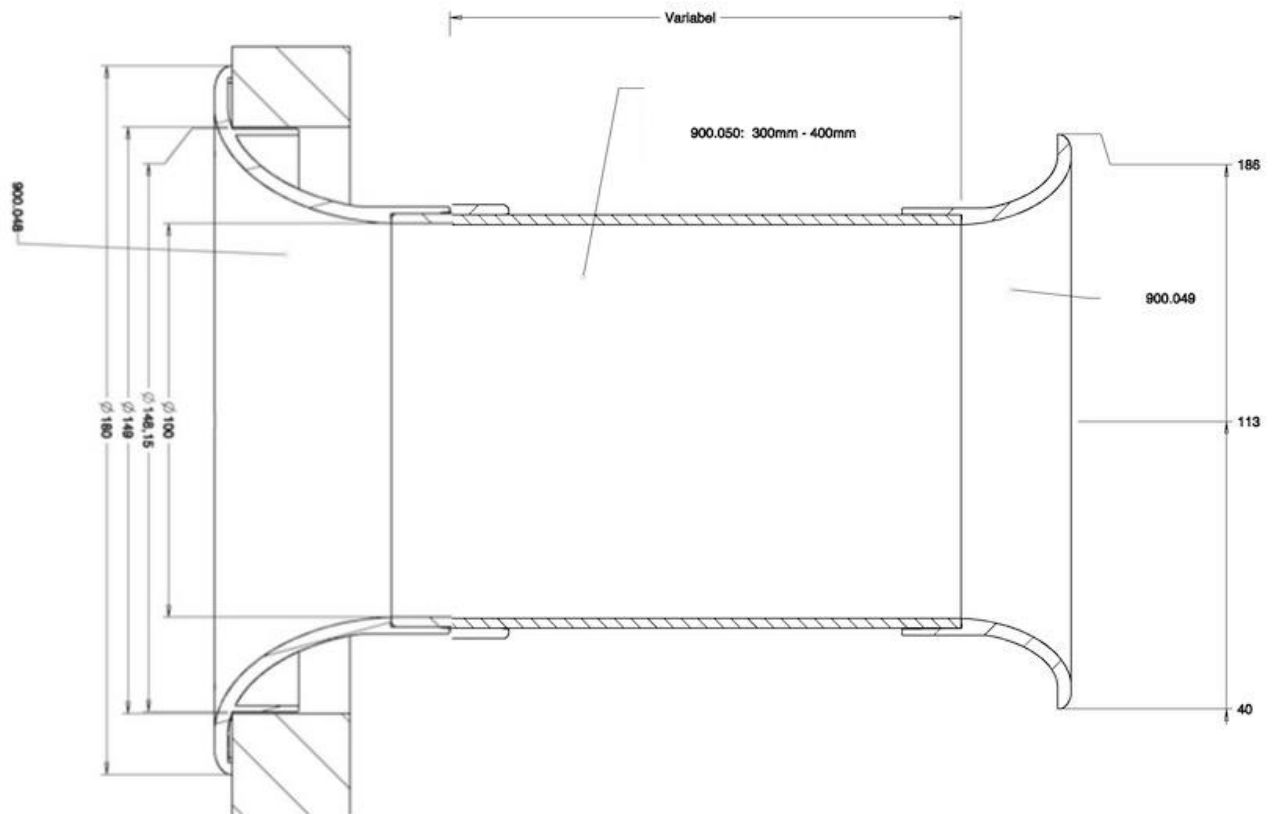
The Set Contains:

- 1 x \varnothing 100 mm / length 400 mm straight pipe
- 1 x \varnothing 100 mm inside flair
- 1 x \varnothing 100 mm outside flair

Weight: 472 grams

Straight - $\phi 100$ mm - Port Tube Set

Technical drawings



For B2C sales (private consumers):

To find a distributor of our products in your region, please follow the link below:

☛ [WHERE TO BUY](#)

For questions about technical subjects, distribution or B2B sales, kindly contact us at:

☛ CONTACT@JANTZEN-AUDIO.COM

For B2B (business to business) orders kindly contact us at:

☛ ORDERS@JANTZEN-AUDIO.COM

