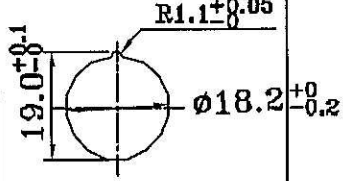
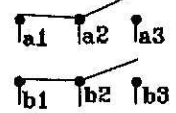
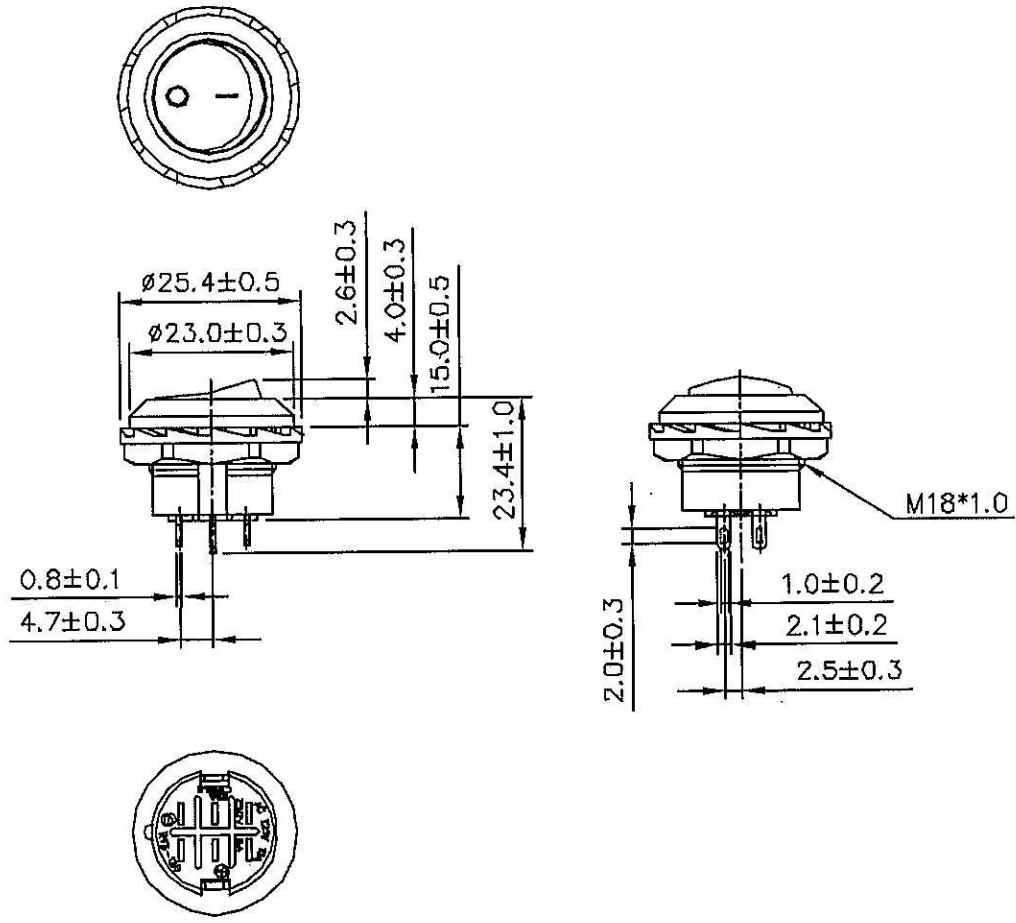


Rating	10A 125V,6A 250V AC	Mounting Hole	Circuit Diagram
Contact R	50m ohm Max.		
Insulation R	DC 500V 100M ohm Min.		
Dielectric Strength	AC 1500V 1 minute		
Circuit	6P DPDT ON-ON		



						△
						△
Date	Name	Descriptions				NO
Drawing	Check	Approval	SCI No.	1820927	Model Name	ROCKER SWITCH
徐洲迎	李元生	李景煌	Customer No.		Model No.	R13-130B-05
09/07/'06	09/18/'07	09/18/'07	Unit	mm		