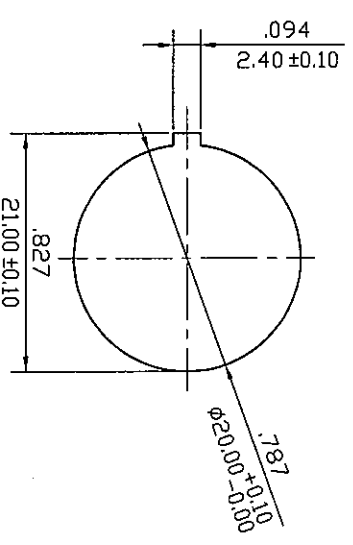
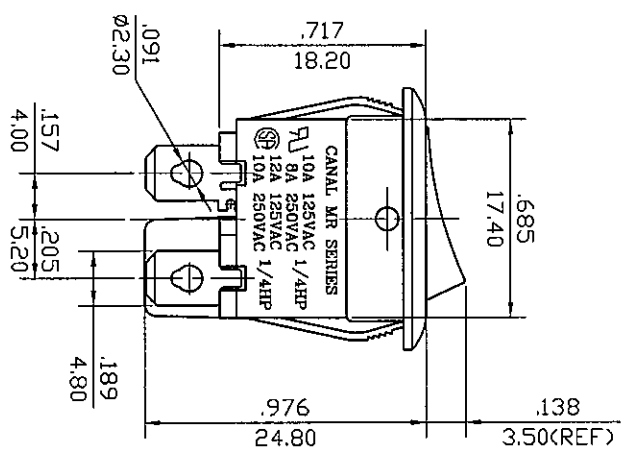
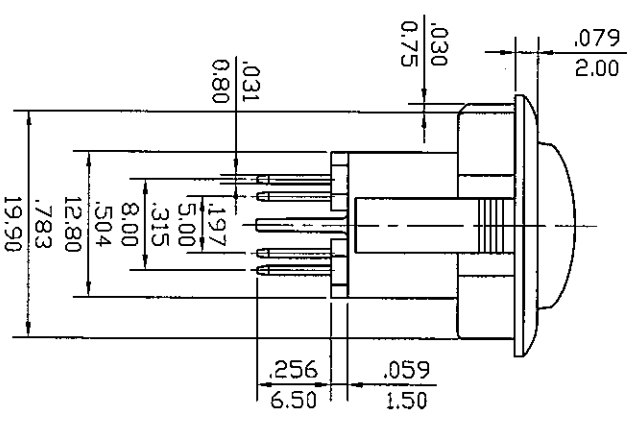
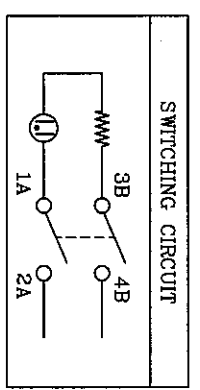


ROCKER SWITCH MODEL MR SERIES
 RATING: 12A 125VAC, 10A 250VAC 1/4HP (CSA)
 10A 125VAC, 8A 250VAC 1/4HP (UL)
 10(4)A 250V~T125/55 (VDE, SEMKO, DEMKO,
 NEMKO, FIMKO, SEV)
 DIELECTRIC WITHSTAND VOLTAGE: 1000VAC 1 MINUTE
 INSULATION RESISTANCE: 100MΩ (MIN.)
 CONTACT RESISTANCE: 20mΩ (MAX.)



PANEL CUTOUT DIMENSION TABLE

X=(1.0~2.0mm)
 PANEL THICKNESS



NOTE: TOLERANCES UNLESS OTHERWISE SPECIFIED: 0.012 (in/mm) 0.30

REVISION	DESCRIPTION	REVISED BY	TOLERANCES X±		ANGLE ±'	UNIT	PART NAME	PART NO	DWG NO
△			DRAWN BY	ERIC	SCALE	2:1			S640A
△			CHECKED BY		DATE	2004/10/06			
△	2005.04.06修改料號	吳美玉	DESIGNED BY						
△	2004.10.06更換圖框 首次出圖	吳美玉	APPROVED BY					MR-210-R5L-****	