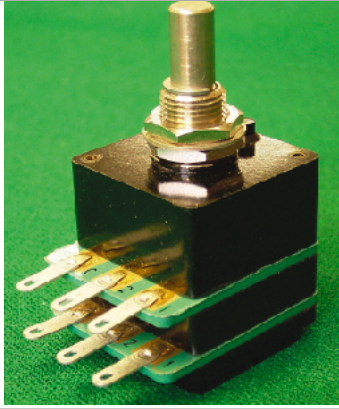
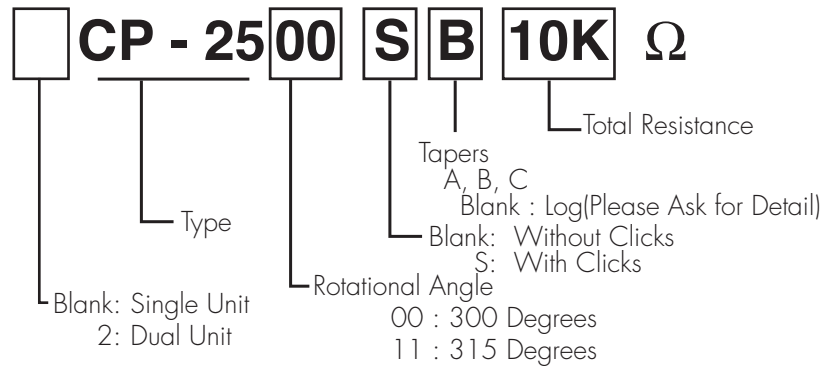


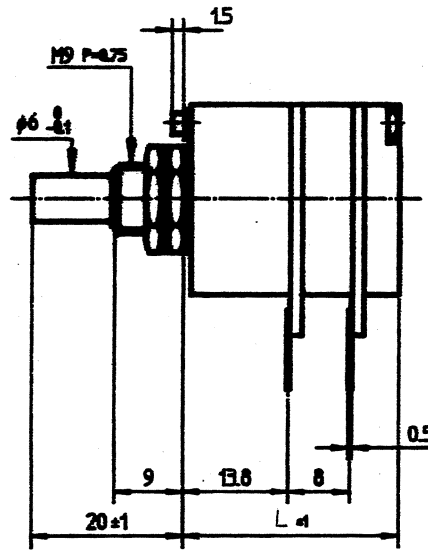
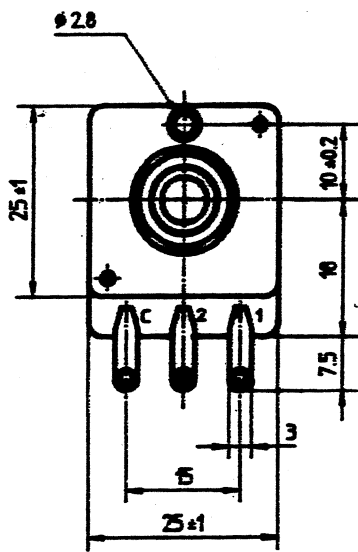
CP-2500 SERIES



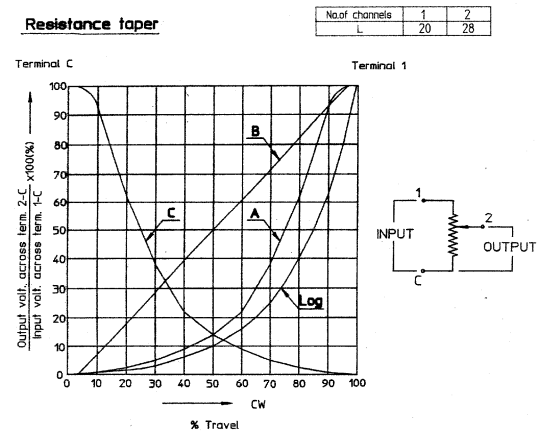
Numbering System



Dimensions



Resistance taper



Specifications

MODEL

Number of Channels (Unbalanced)
Total Resistance
Total Resistance Tolerance
Resistance Taper
Attenuation Accuracy (At Log Taper)

Maching Accuracy (At Log Taper)

Cut off (At Log Taper)
Ratings Power

Insertion Loss for Log Taper
Residual Resistance
Insulation Resistance
Total Rotation Angle
Rotational Life

CP-2500 Series

CP-2500	2CP-2500	CP-2511	2CP-2511
1	2	1	2
10, 20, 50, 100KΩ			
±20%			
A, B, C, Log		Log	
0~10dB ±1.0dB			
30dB ±2.0dB			
42dB ±3.0dB			
0~10dB ±0.5dB		0~10dB ±0.5dB	
20dB ±1.0dB		20dB ±1.0dB	
30dB ±1.5dB		30dB ±1.5dB	
42dB ±2.5dB		42dB ±2.5dB	
90dB Min. (at 15KHz)			
B Taper 0.05W			
Other Than B Taper 0.02W			
0.2dB Max.			
40Ω max.			
100MΩ min. at DC 500V			
300° ±3° (No Detent)		315° ±3° (No Detent)	
100,000 Cycles Min.			