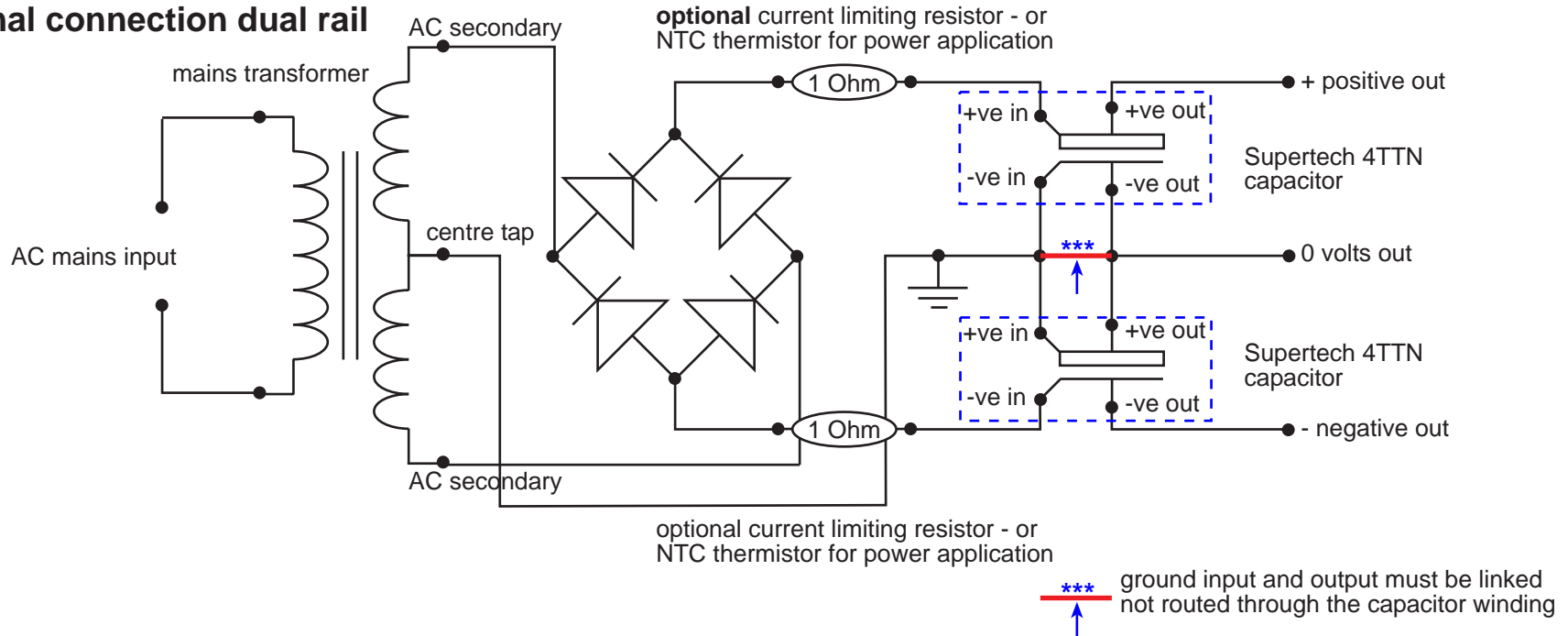


DNM Design - 4 terminal capacitors - circuit diagram

4 terminal connection dual rail



4 terminal connection single rail

