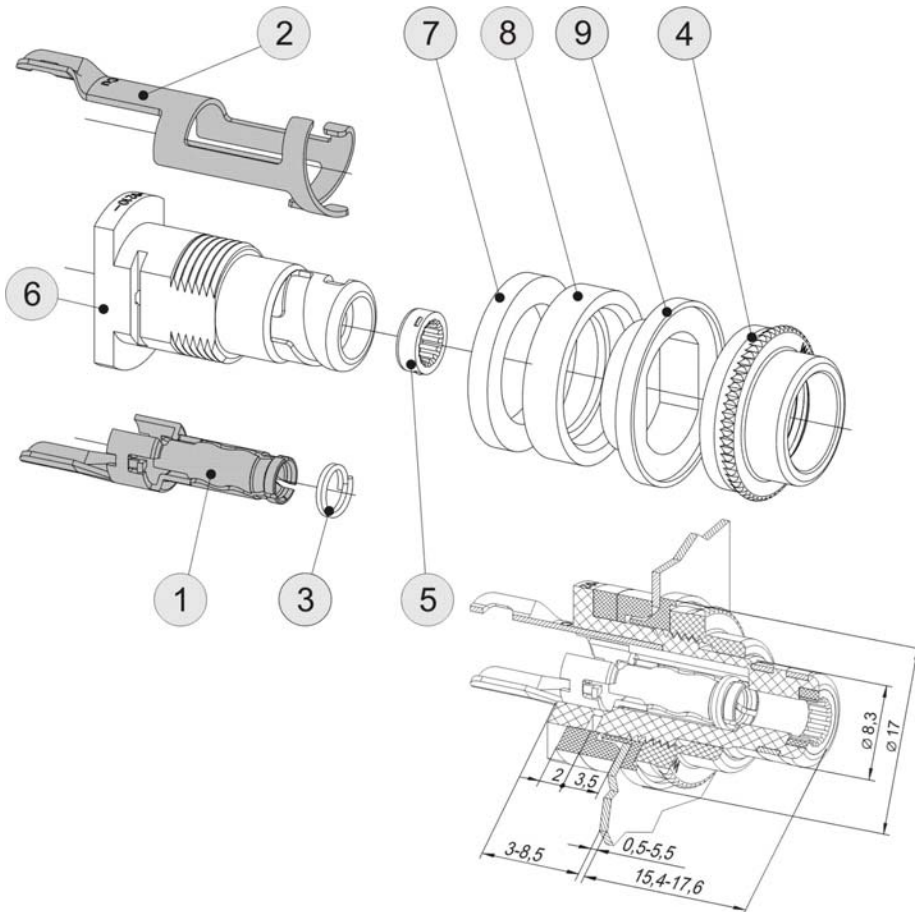


WBT-0210 Ag

E



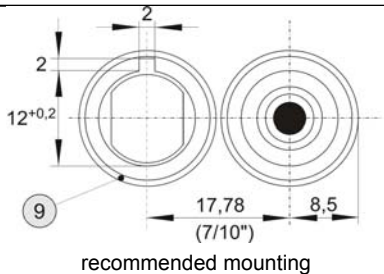
Component list

1	Signal Conductor 'Plus', fine silver	1
2	Signal conductor 'Minus', fine silver	1
3	Contact spring bronze	1
4	Counter nut, PA 6.6 fibre-glass reinforced	1
5	Marking ring Badamid B70 GF10 ¹⁾	1
6	Base element PA 6.6 fibre-glass reinforced	1
7	Distance ring PA 6.6 fibre-glass reinforced	1
8	Distance ring PA 6.6 fibre-glass reinforced	1
9	Double Step washer PA 6.6 fibre-glass reinforced	1

Extent of delivery 1 – 9 mounted

Revision date 14.12.2006

¹⁾ Badamid is a registered trade mark of Bada AG • WBT und nextgen are registered trade marks of WBT GmbH



WBT – 0210 Ag Coaxial Socket nextgen™

(Internat. Pat. EP 0 460 145 B1)

Coaxial socket for cabinet mounting, *soldering version*

1. Mechanics

- One-piece low tolerance contact elements (Tol. $\pm 0.02\text{ mm}$)
- Outer conductor with low capacitance patented contact form
- Inner socket with well defined contact surface, WBT active spring mechanism with enclosing beryllium spring; large spring travel for constant contact pressure even with imprecise counter pieces

2. Materials

- Signal conductor (1) und (2) fine silver
- Base element (6) high strength fibre-glass reinforced Polyamide
- Mounted parts (7), (8) und (9) fibre-glass reinforced Polyamide 6.6
- Marking ring Badamid B70 GF10
- Counter nut fibre-glass reinforced Polyamide 6.6

3. Surfaces

- Signal conductor Ag, passivated

4. Operating Characteristics (reliable observed after more than 10³ connections/disconnections)

- Permanent current $I_D > 20\text{ A}$
- Transition resistance $R_D < 0.1\text{ mOhm}$ (loop measured with WBT -0110)
- Contact resistance $R_{BI}, R_{Ba} < 0.1\text{ mOhm}$ (patch resistance, inner / outer)
- Self capacitance $C \approx 2.5\text{ pF}$
- Insulation resistance $R_{ib}, R_{ag} > 10^{10}\text{ Ohms}$ (conductor/conductor, conductor/chassis)
- Characteristic impedance $Z = 75\text{ Ohms}$

5. Terminals

- solder, for cables up to 1.5 mm²

6. Mounting

- problem-free by hand using the knurled nut
- recommended distance between socket centres: 17.78 mm = 7/10 inch (standard)



WBT-0210 Ag

Characteristic impedance 75Ω

RoHS compliant